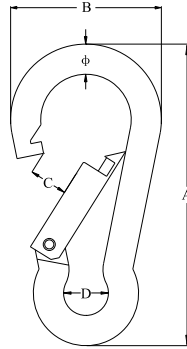




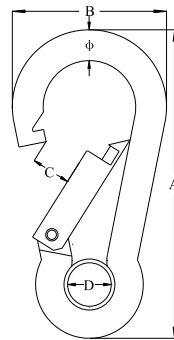
MARINE AND ARCHITECTURAL HARDWARE

SPRING HOOK, SS304 OR SS316



Part No. 304	Part No. 316	φ mm	A mm	B mm	C mm	D mm	SWL kgs	BL kgs
38700	38710	4.50	42.00	20.50	6.00	6.50	45	180
38701	38147	5.00	50.00	26.50	7.00	8.00	55	220
38702	38711	6.00	60.00	30.00	7.50	8.50	68	272
38703	38148	7.00	70.00	35.00	9.00	9.50	91	364
38704	38712	8.00	80.00	40.50	10.00	12.00	127	508
38705	38713	9.00	90.00	45.00	10.50	12.80	150	600
38706	38149	10.00	100.00	50.00	12.00	15.00	182	728
38707	38714	11.00	120.00	58.00	16.00	19.00	204	816
38708	38715	12.00	140.00	64.00	21.00	22.00	227	908
38709	38716	13.00	160.00	72.00	24.00	22.00	250	1000

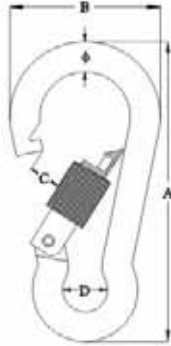
SPRING HOOK WITH EYE, SS304 OR SS316



Part No. 304	Part No. 316	φ mm	A mm	B mm	C mm	D mm	SWL kgs	BL kgs
-	44507	4.50	40.00	20.00	6.00	5.50	40	160
38717	19182	5.00	50.00	26.50	7.00	7.80	55	220
38718	19183	6.00	60.00	30.00	7.50	7.80	68	272
38719	19184	7.00	70.00	35.00	9.00	8.70	91	364
38720	19185	8.00	80.00	40.50	10.00	10.80	127	508
38721	38726	9.00	90.00	45.00	10.50	12.00	150	600
38722	19186	10.00	100.00	50.00	12.00	14.00	182	728
38723	30103	11.00	120.00	58.00	16.00	18.00	204	816
38724	38727	12.00	140.00	64.00	21.00	20.00	227	908
38725	38728	13.00	160.00	72.00	24.00	20.00	250	1000

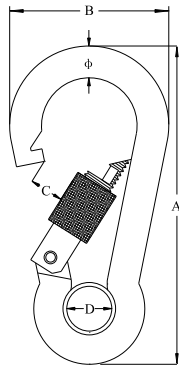


SPRING HOOK WITH LOCKING NUT, SS304 OR SS316



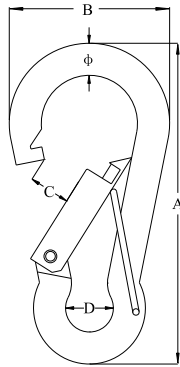
Part No. 304	Part No. 316	φ mm	A mm	B mm	C mm	D mm	SWL kgs	BL kgs
38729	38736	6.00	60.00	30.00	6.50	8.50	114	456
38730	<i>38737</i>	7.00	70.00	35.00	7.50	9.50	145	580
38731	38738	8.00	80.00	40.50	8.50	12.00	182	728
38732	<i>38739</i>	9.00	90.00	45.00	9.00	12.80	225	900
38733	38740	10.00	100.00	50.00	10.00	15.00	273	1092
38734	<i>38741</i>	11.00	120.00	58.00	14.50	19.00	315	1260
38735	38742	12.00	140.00	64.00	19.00	22.00	365	1460

SPRING HOOK WITH LOCKING NUT AND EYE, SS304 OR SS316



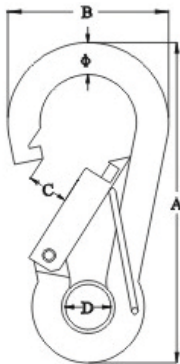
Part No. 304	Part No. 316	φ mm	A mm	B mm	C mm	D mm	SWL kgs	BL kgs
38743	38750	6.00	60.00	30.00	6.50	7.80	114	456
38744	<i>38751</i>	7.00	70.00	35.00	7.50	8.70	145	580
38745	38752	8.00	80.00	40.50	8.50	10.80	182	728
38746	<i>38753</i>	9.00	90.00	45.00	9.00	12.00	225	900
38747	38754	10.00	100.00	50.00	10.00	14.00	273	1092
38748	<i>38755</i>	11.00	120.00	58.00	14.50	18.00	315	1260
38749	38756	12.00	140.00	64.00	19.00	20.00	365	1460

LOCK SPRING HOOK, SAFETY LATCH, SS304 OR SS316



Part No. 304	Part No. 316	φ mm	A mm	B mm	C mm	D mm	SWL kgs	BL kgs
38757	38766	5.00	50.00	26.50	7.00	8.00	55	220
38758	38767	6.00	60.00	30.00	7.50	8.50	68	272
38759	38768	7.00	70.00	35.00	9.00	9.50	91	364
38760	38769	8.00	80.00	40.50	10.00	12.00	127	508
38761	38770	9.00	90.00	45.00	10.50	12.80	150	600
38762	38771	10.00	100.00	50.00	12.00	15.00	182	728
38763	38772	11.00	120.00	58.00	16.00	19.00	204	816
38764	38773	12.00	140.00	64.00	21.00	22.00	227	908
38765	38774	13.00	160.00	72.00	24.00	22.00	250	1000

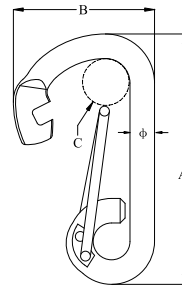
LOCK SPRING HOOK WITH EYE, SAFETY LATCH, SS304 OR SS316



Part No. 304	Part No. 316	φ mm	A mm	B mm	C mm	D mm	SWL kgs	BL kgs
38775	38784	5.00	50.00	26.50	7.00	7.80	55	220
38776	38785	6.00	60.00	30.00	7.50	7.80	68	272
38777	38786	7.00	70.00	35.00	9.00	8.70	91	364
38778	38787	8.00	80.00	40.50	10.00	10.80	127	508
38779	38788	9.00	90.00	45.00	10.50	12.00	150	600
38780	38789	10.00	100.00	50.00	12.00	14.00	182	728
38781	38790	11.00	120.00	58.00	16.00	18.00	204	816
38782	38791	12.00	140.00	64.50	21.00	20.00	227	908
38783	38792	13.00	160.00	72.00	24.00	20.00	250	1000

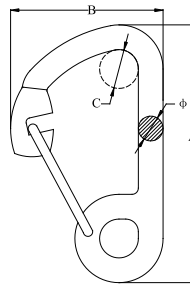


SPRING HOOK, SS304 OR SS316



Part No. 304	Part No. 316	φ mm	A mm	B mm	C mm	SWL kgs	BL kgs
38887	38891	6.00	60.00	34.50	12.50	188	750
38888	38892	8.00	80.00	46.00	17.00	438	1750
38889	38893	10.00	100.00	55.00	23.50	563	2250
38890	38894	12.00	122.50	72.00	28.00	913	3650

SPRING HOOK CAST, SS304 OR SS316



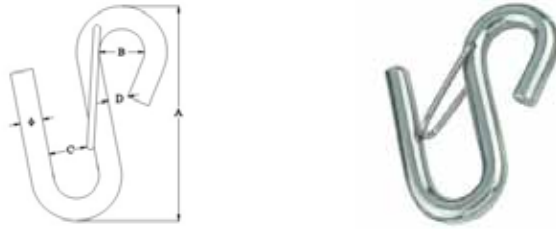
Part No. 304	Part No. 316	φ mm	A mm	B mm	C mm
38895	38897	6.00	60.00	34.50	12.50
30004	38898	8.00	80.00	46.00	17.00
33487	38899	14.00	143.00	85.50	20.00
38896	38900	16.00	165.00	98.00	25.00

SPRING HOOK, SS304 OR SS316



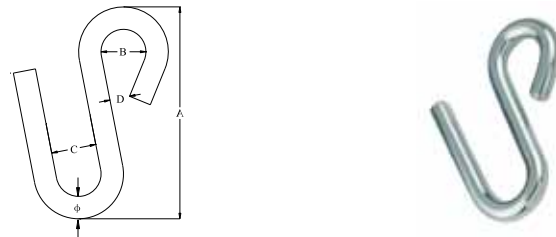
Part No. 304	Part No. 316	φ mm	A mm	B mm	C mm	SWL kgs	BL kgs
38911	38915	6.00	60.00	30.00	8.00	68	272
38912	38916	8.00	80.00	40.00	11.50	127	508
38913	38917	10.00	100.00	50.00	13.50	182	728
38914	38918	11.00	120.00	60.00	16.00	204	816

SNAP S-HOOK, SS304 OR SS316



Part No. 304	Part No. 316	ϕ mm	A mm	B mm	C mm	D mm
39442	39447	5.00	57.80	10.30	9.00	4.00
39443	39448	6.00	64.00	9.70	8.00	3.00
39444	39449	8.00	74.00	16.30	15.00	4.00
39445	39450	9.00	86.00	18.00	18.00	8.50
39446	39451	10.00	95.00	20.00	18.00	8.50

S-HOOK (OPEN END AND NARROW END), SS304 OR SS316



Part No. 304	Part No. 316	ϕ mm	A mm	B mm	C mm	D mm
39478	39480	5.00	51.00	10.30	10.80	3.50
19463	39481	6.00	64.50	11.00	12.00	5.00
19190	39482	8.00	75.00	16.00	17.00	4.50
19191	39483	9.00	84.00	18.00	19.00	7.60
39479	39484	9.50	95.00	20.80	21.00	8.80

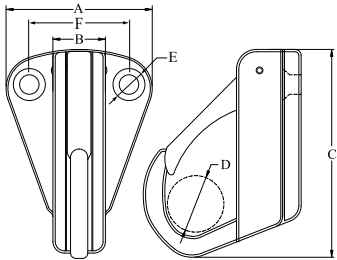
S-HOOK, SS304 OR SS316



Part No. 304	Part No. 316	ϕ mm	A mm	B1 mm	B2 mm	R1 mm	R2 mm
39460	39468	3.00	36.00	7.50	14.00	4.50	8.00
39461	39469	4.00	44.00	10.50	14.50	6.00	9.50
39462	39470	5.00	53.00	12.50	16.00	7.00	10.50
39463	39471	6.00	62.00	12.50	18.00	7.50	12.50
39465	39473	8.00	83.00	14.00	23.00	10.00	16.50
39467	39475	10.00	105.00	17.50	34.00	12.50	20.50

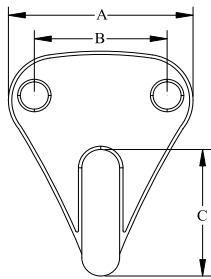


SPRING FENDER HOOK, SS304 OR SS316



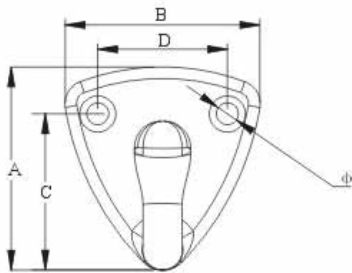
Part No. 304	Part No. 316	A mm	B mm	C mm	D mm	E mm	F mm
39876	39878	32.80	11.20	36.00	6.60	4.00	22.00
39877	39879	30.40	10.60	44.00	11.00	4.00	22.00

FENDER EYE, SS304 OR SS316



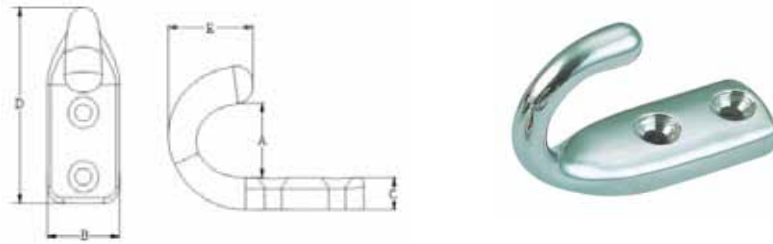
Part No. 304	Part No. 316	A mm	B mm	C mm
39874	39875	27.00	17.00	18.00

FENDER HOOK, SS304 OR SS316



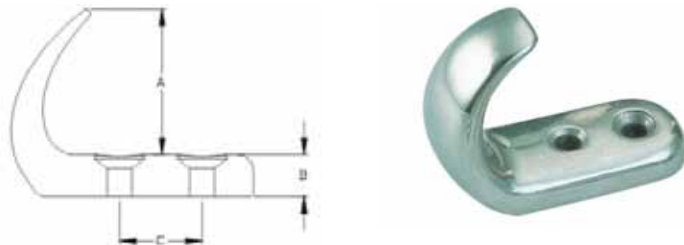
Part No. 304	Part No. 316	φ mm	A mm	B mm	C mm	D mm
39880	39881	2.80	25.80	24.40	20.00	16.60

DECK HOOK (TYPE-EL), SS304 OR SS316



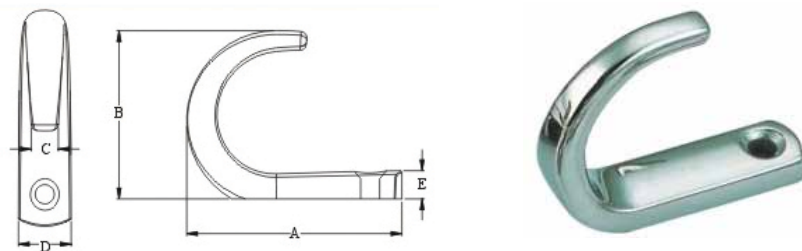
Part No. 304	Part No. 316	A mm	B mm	C mm	D mm	E mm
40374	40375	16.50	13.00	5.90	40.00	17.00

DECK HOOK (TYPE-33), SS304 OR SS316



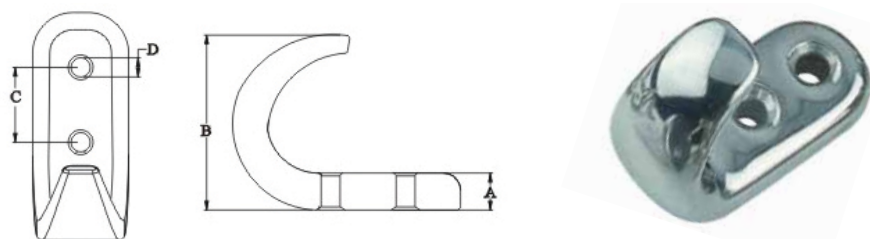
Part No. 304	Part No. 316	A mm	B mm	C mm
40376	40377	17.60	5.00	10.00

DECK HOOK (TYPE-40), SS304 OR SS316



Part No. 304	Part No. 316	A mm	B mm	C mm	D mm	E mm
40378	40379	38.20	30.80	4.70	10.00	5.20

DECK HOOK (TYPE-43), SS304 OR SS316



Part No. 304	Part No. 316	A mm	B mm	C mm	D mm
40380	40381	6.20	31.00	10.20	3.60

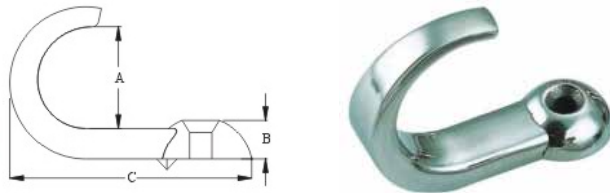


DECK HOOK (TYPE-45), SS304 OR SS316



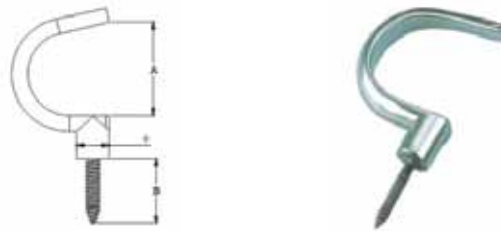
Part No. 304	Part No. 316	φ mm	A mm	B mm
40382	40383	7.40	40.80	21.00

DECK HOOK (TYPE-46), SS304 OR SS316



Part No. 304	Part No. 316	A mm	B mm	C mm
40384	40385	22.00	5.90	40.00

DECK HOOK (TYPE-47), SS304 OR SS316



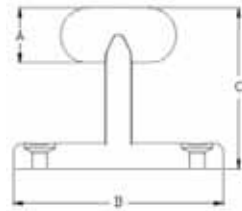
Part No. 304	Part No. 316	φ mm	A mm	B mm
40386	40387	8.60	25.90	21.00

DECK HOOK (TYPE-60), SS304 OR SS316



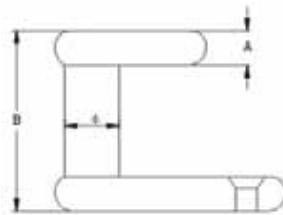
Part No. 304	Part No. 316	φ mm	A mm	B mm
40388	40389	9.80	60.00	55.00

DECK HOOK (TYPE-G), SS304 OR SS316



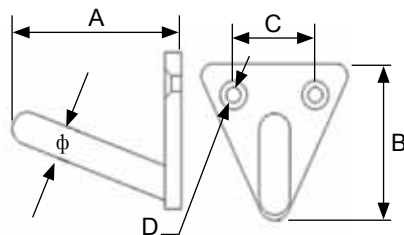
Part No. 304	Part No. 316	A mm	B mm	C mm
40396	40397	12.00	47.00	35.60

DECK HOOK (TYPE-H), SS304 OR SS316



Part No. 304	Part No. 316	ϕ mm	A mm	B mm
40398	40399	9.00	6.70	30.00

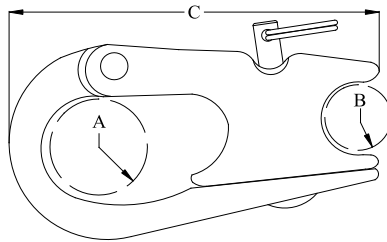
DECK HOOK (TYPE-63), SS304 OR SS316



Part No. 304	Part No. 316	ϕ mm	A mm	B mm	C mm	D mm
40400	40401	8.00	43.30	37.30	22.00	4.00

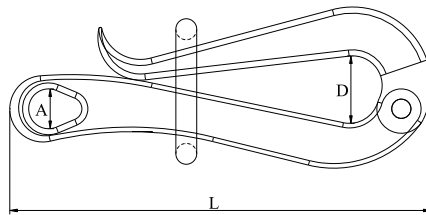


ROPE SHEET SNAP SHACKLE, SS304 OR SS316



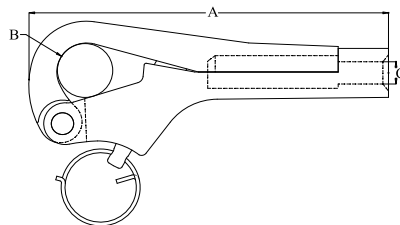
Part No. 304	Part No. 316	A mm	B mm	C mm
39890	39893	15.00	11.00	50.00
39891	39894	17.00	14.00	63.70
39892	39895	26.00	22.00	95.00

PELICAN HOOK (WITH LINK), SS304 OR SS316



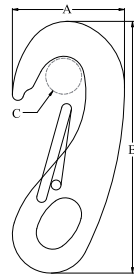
Part No. 304	Part No. 316	SIZE inch	A mm	D mm	L mm
39896	39898	4"	10.00	18.00	98.50
39897	39899	6"	13.00	22.00	148.00

PELICAN HOOK, SS304 OR SS316



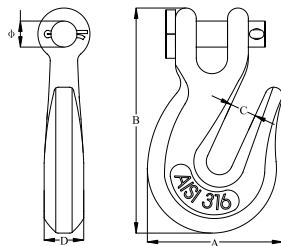
Part No. 304	Part No. 316	A mm	B mm	C mm	SWL kgs	BL kgs
39882	39886	72.60	11.00	M6	300	1200
39883	39887	97.00	14.00	M8	375	1500
39884	39888	144.80	23.00	M10	875	3500
39885	39889	145.60	23.00	M12	875	3500

SPRING SNAP CAST, EYE END, SS304 OR SS316



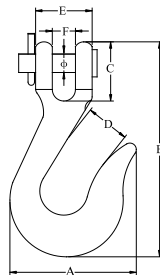
Part No. 304	Part No. 316	A mm	B mm	C mm	SWL kgs	BL kgs
42266	33708	25.00	49.50	8.00	55	220
42267	33709	31.00	68.80	12.50	125	500
42268	33710	47.00	97.00	20.00	225	900

GRAB HOOK CLEVIS END, SS304 OR SS316



Part No. 304	Part No. 316	ϕ mm	A mm	B mm	C mm	D mm	SWL kgs	BL kgs
39904	39908	9.00	44.00	78.00	8.80	11.00	525	2100
39906	39910	11.00	54.50	94.50	10.80	13.00	775	3100
39905	39909	12.00	64.00	106.60	12.30	18.00	1000	4000
39903	39907	16.00	87.00	142.00	16.00	19.00	1838	7350

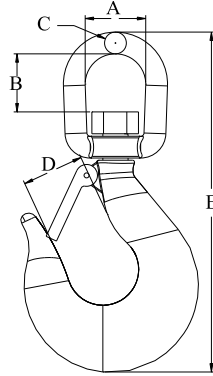
SLIP HOOK CLEVIS END, SS304 OR SS316



Part No. 304	Part No. 316	ϕ mm	A mm	B mm	C mm	D mm	E mm	F mm	SWL kgs	BL kgs
39912	39916	9.00	60.50	98.80	26.00	22.00	26.00	11.00	500	2000
39914	39918	11.00	72.00	110.00	31.50	23.35	31.30	13.00	750	3000
39913	39917	12.00	88.00	129.00	34.00	29.00	36.00	14.80	1000	4000
39911	39915	16.00	112.00	164.00	45.00	36.00	45.80	18.60	1400	5600

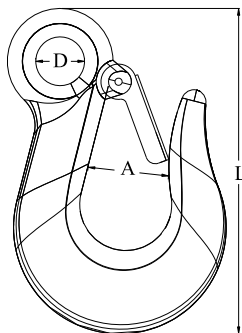


SLIP HOOK (SWIVEL END WITH SAFETY LATCH), SS304 OR SS316



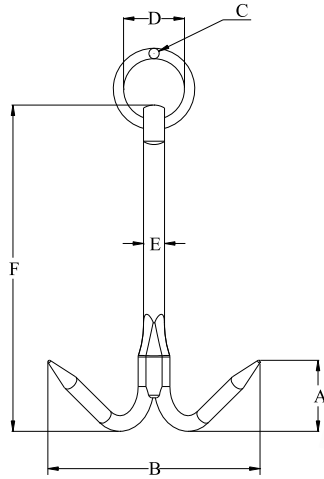
Part No. 304	Part No. 316	A mm	B mm	C mm	D mm	E mm	SWL kgs	BL kgs
39930	39934	22.00	22.50	6.50	21.50	117.00	425	1700
39932	39936	28.60	30.00	8.00	25.50	146.00	750	3000
39931	39935	28.00	27.50	9.30	28.80	158.00	1150	4600
39929	39933	35.50	34.50	12.70	36.30	201.00	1900	7600

SLIP HOOK (EYE END WITH SAFETY LATCH), SS304 OR SS316



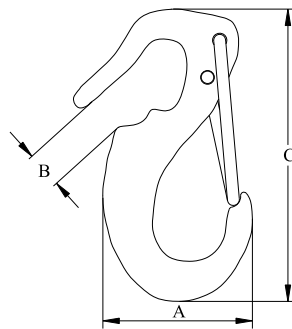
Part No. 304	Part No. 316	A mm	D mm	L mm	SWL kgs	BL kgs
39923	39926	22.00	13.30	88.30	425	1700
39925	39928	24.50	16.00	107.00	595	2380
39924	39927	26.80	18.00	123.00	850	3400

HOOK ANCHOR, SS304 OR SS316



Part No. 304	Part No. 316	A mm	B mm	C mm	D mm	E mm	F mm
40364	40366	31.00	160.00	6.00	36.00	12.80	207.00
40365	40367	45.00	222.00	8.00	45.00	15.80	246.00

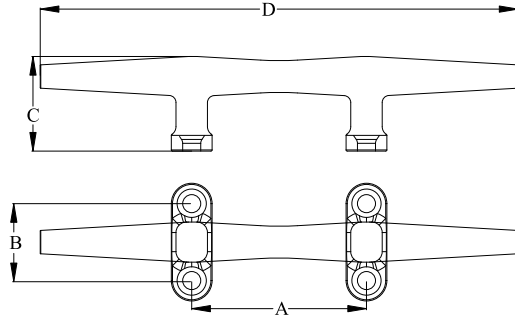
SPRING SNAP-CAST (HOOK END), SS304 OR SS316



Part No. 304	Part No. 316	A mm	B mm	C mm	SWL kgs	BL kgs
41096	<i>41101</i>	25.00	9.00	49.00	60	250
41097	<i>41102</i>	29.00	8.00	52.80	75	300
41098	<i>41103</i>	32.20	7.80	60.60	80	320
41099	<i>41104</i>	34.50	8.30	65.00	85	350
41100	<i>41105</i>	48.00	10.80	89.00	175	700

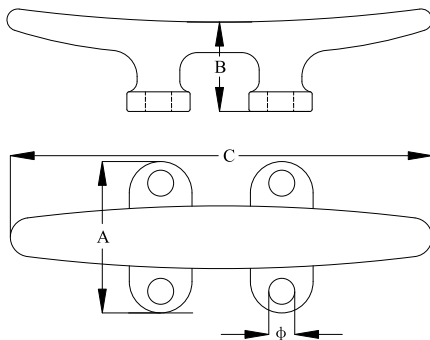


LOW FLAT CLEAT, SS304 OR SS316



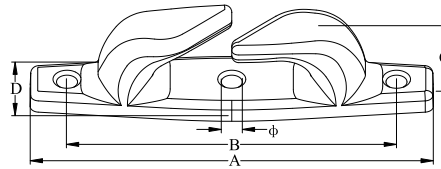
Part No. 304	Part No. 316	A mm	B mm	C mm	D mm
40202	40208	37.80	22.50	23.00	97.50
40203	<i>40209</i>	47.50	24.50	25.80	121.50
40204	40210	54.00	27.00	30.50	155.00
40205	40211	69.00	33.00	37.00	200.00
40200	40206	89.00	46.00	47.00	246.00
40201	<i>40207</i>	91.00	46.00	54.50	295.00

TRIM LINE CLEAT, SS304 OR SS316



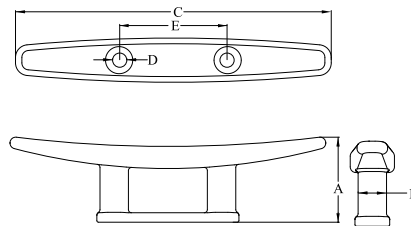
Part No. 304	Part No. 316	φ mm	A mm	B mm	C mm
40190	40196	6.20	34.50	20.80	96.80
40191	40197	6.00	45.00	24.00	121.00
40192	40198	6.00	52.00	27.50	145.00
40193	40199	8.00	61.30	31.00	195.00
40188	40194	8.00	73.30	40.00	243.00
40189	40195	8.00	82.00	45.50	292.00

SKENE CHOCKS, SS304 OR SS316



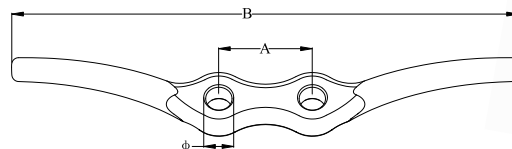
Part No. 304	Part No. 316	ϕ mm	A mm	B mm	C mm	D mm
40213	40215	5.00	116.00	97.50	25.60	23.00
40216	40218	5.00	116.00	97.50	25.60	23.00
40212	40214	6.00	153.50	124.50	29.50	34.50
40217	40219	6.00	153.60	124.50	29.50	34.50

BLUE WATER CLEAT, SS304 OR SS316



Part No. 304	Part No. 316	A mm	B mm	C mm	D mm	E mm
40222	40228	23.50	8.70	100.00	4.50	30.00
40223	40229	30.00	10.50	124.00	5.50	40.00
40224	40230	32.50	12.00	149.00	6.50	45.00
40225	40231	42.00	15.60	200.00	8.50	55.00
40220	40226	49.90	15.80	250.00	8.30	71.00
40221	40227	65.00	14.00	297.00	8.00	90.00

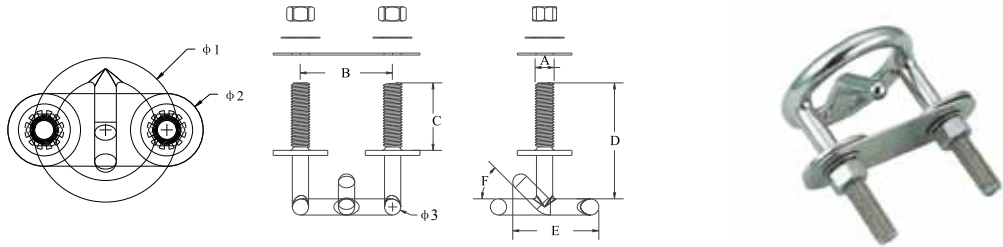
ROPE CLEAT, SS304 OR SS316



Part No. 304	Part No. 316	ϕ mm	A mm	B mm
40238	40241	4.00	10.00	68.00
40239	40242	5.90	20.50	114.00
40240	40243	6.70	23.00	150.00

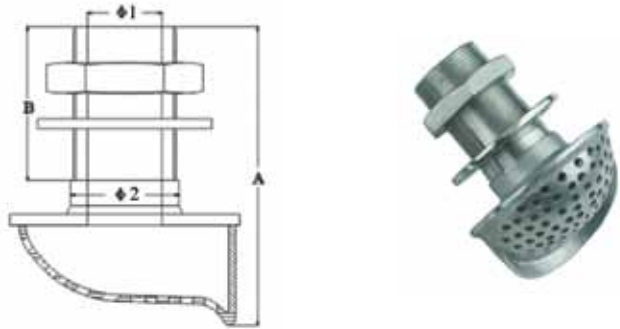


SKI TOW EYES STAINLESS STEEL, SS304 OR SS316



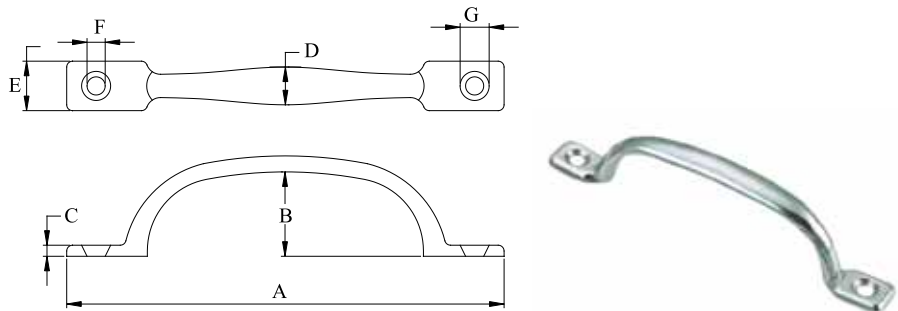
Part No. 304	Part No. 316	φ 1 mm	φ 2 mm	φ 3 mm	A mm	B mm	C mm	D mm	E mm	F mm
40711	40712	62.80	31.80	9.50	3/8-16UNC	54.00	39.00	67.90	49.00	45°

PUMP FILTER, SS304 OR SS316



Part No. 304	Part No. 316	φ 1 mm	φ 2 mm	A mm	B mm
41188	41192	24.50	35.50	103.00	50.00
41187	41191	32.00	44.00	130.50	68.00
41186	41190	34.50	51.00	137.00	70.50
41189	41193	47.00	62.50	166.00	86.00

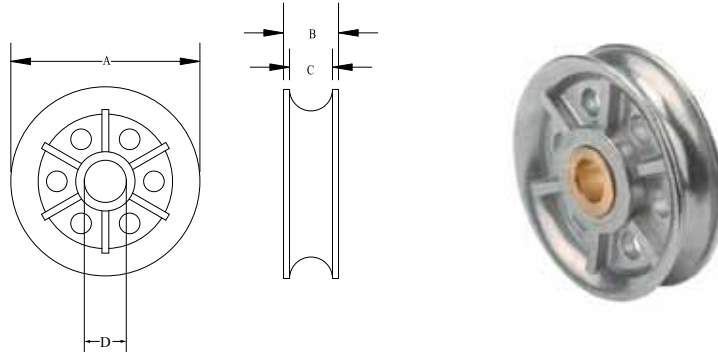
HANDLE, SS304 OR SS316



Part No. 304	Part No. 316	A mm	B mm	C mm	D mm	E mm	F mm	G mm
40236	40237	150.00	33.60	3.60	12.50	16.70	6.90	10.00

MARINE AND ARCHITECTURAL HARDWARE

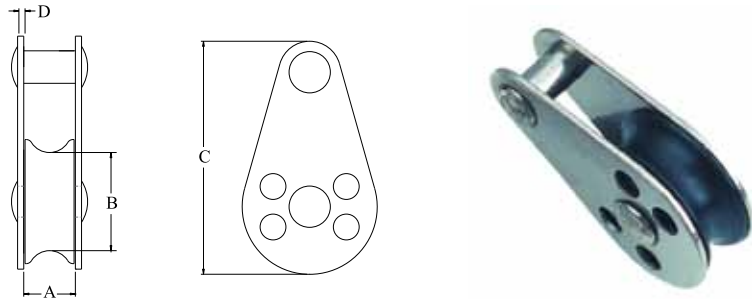
WIRE ROPE SHEAVE, SS304 OR SS316



Part No. 304	Part No. 316	A mm	B mm	C mm	D mm
41197	41205	26.80	17.30	11.00	8.00
41198	41206	31.00	16.50	11.50	8.00
41199	41207	50.00	19.00	14.00	10.00
41200	41208	75.50	19.40	14.50	13.00
41201	41209	75.50	28.50	21.80	13.00
41194	41202	100.80	24.90	17.40	17.00
41195	41203	100.80	33.00	26.80	17.00
41196	41204	127.00	25.50	19.20	17.00

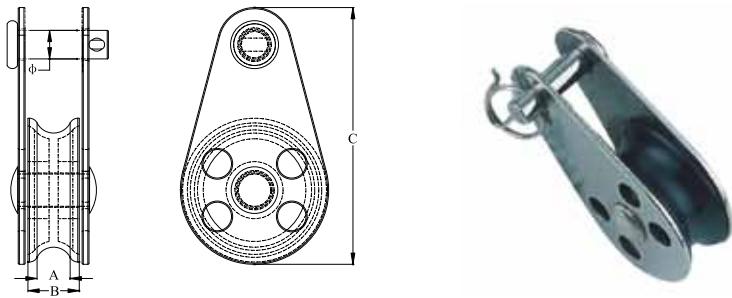


PULLEY BLOCK- TYPE B (PIN RIVET) NYLON SHEAVE, SS304 OR SS316



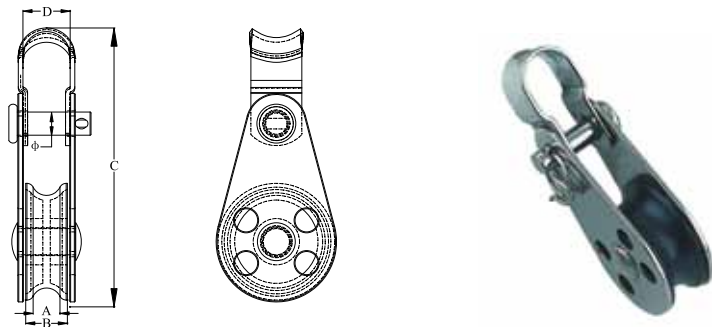
Part No. 304	Part No. 316	A mm	B mm	C mm	D mm
41224	41225	9.60	20.00	45.20	1.20

PULLEY BLOCK- TYPE C (REMOVABLE PIN WITH RIVET) NYLON SHEAVE, SS304 OR SS316



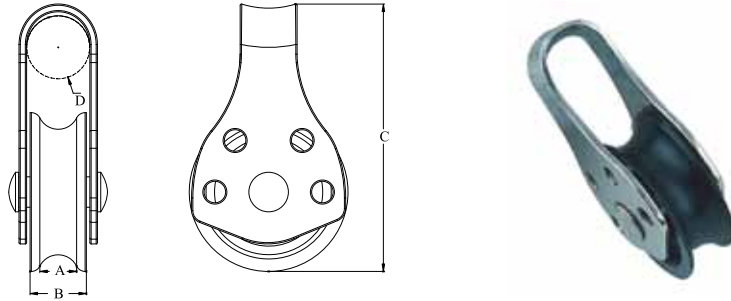
Part No. 304	Part No. 316	ϕ mm	A mm	B mm	C mm
41226	41227	4.90	7.00	9.00	45.00

PULLEY BLOCK- TYPE D (WITH BRACKET AND PIN RIVET) NYLON SHEAVE, SS304 OR SS316



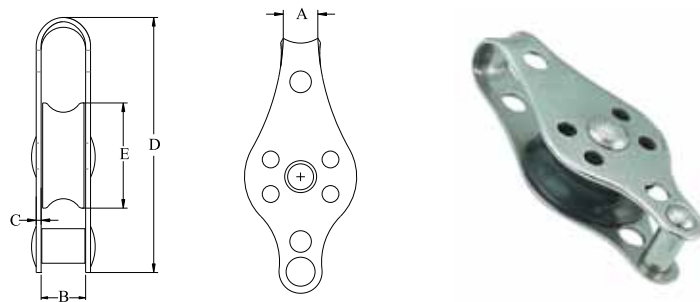
Part No. 304	Part No. 316	ϕ mm	A mm	B mm	C mm	D mm
41228	41229	5.00	6.80	9.00	6.80	10.00

PULLEY BLOCK- TYPE A (PIN RIVET) NYLON SHEAVE, SS304 OR SS316



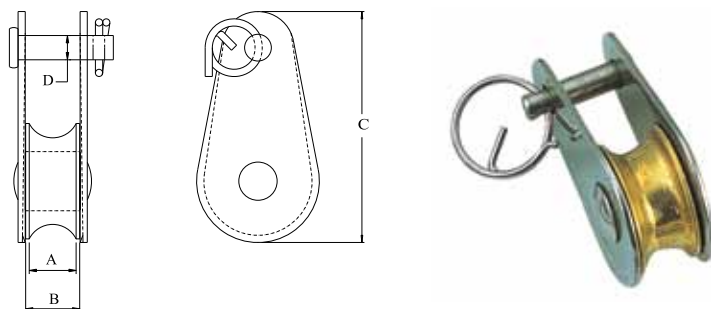
Part No. 304	Part No. 316	A mm	B mm	C mm	D mm
41232	41233	6.70	9.00	43.50	10.00

PULLEY BLOCK- TYPE F (WITH PIN RIVET AND BRACKET) NYLON SHEAVE, SS304 OR SS316



Part No. 304	Part No. 316	A mm	B mm	C mm	D mm	E mm
41234	41235	8.80	10.30	1.20	59.30	25.00

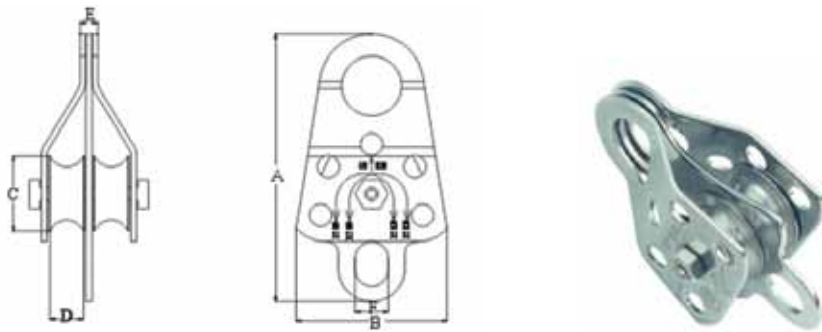
LIGHT PULLEY BLOCK- TYPE C (REMOVABLE PIN RIVET) BRASS SHEAVE, SS304 OR SS316



Part No. 304	Part No. 316	A mm	B mm	C mm	D mm
41230	41231	6.20	10.20	32.60	3.40

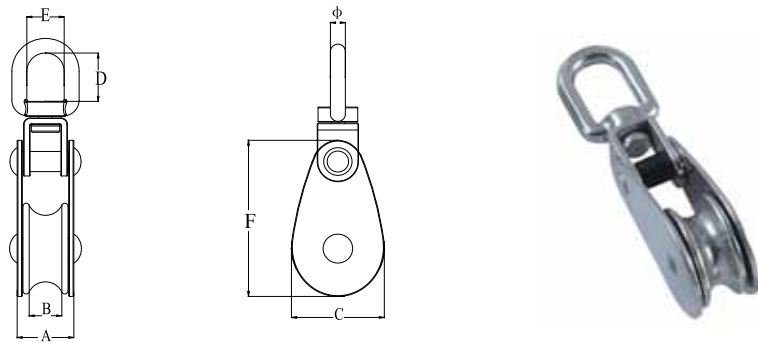


PULLEY (DOUBLE SHEAVES), SS304 OR SS316



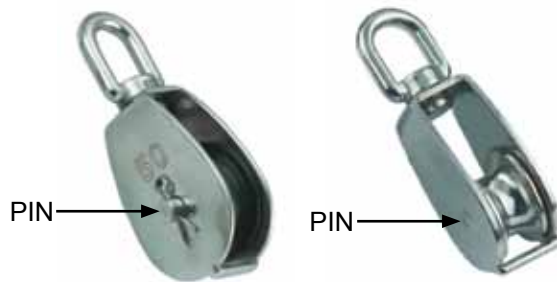
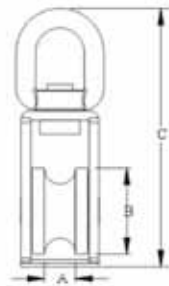
Part No. 304	Part No. 316	A mm	B mm	C mm	D mm	E mm	F mm	SWL kgs	BL kgs
41244	41245	121.00	68.00	34.00	15.00	8.00	15.00	1200	4800

MAME SWIVEL BLOCK (STAINLESS CAST SHEAVE), SS304 OR SS316



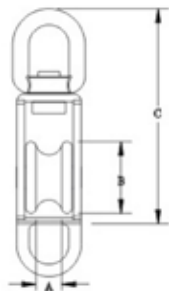
Part No. 304	Part No. 316	φ mm	A mm	B mm	C mm	D mm	E mm	F mm	SWL kgs	BL kgs
41236	41239	5.00	19.20	9.50	27.30	17.00	13.00	49.30	375	1500
41237	41240	5.90	19.80	10.00	35.00	19.00	14.50	60.30	425	1700
41238	41241	7.80	25.00	13.00	54.00	27.00	19.00	85.00	700	2800

MAME SWIVEL BLOCK (STAINLESS CAST SHEAVE), SS304 OR SS316



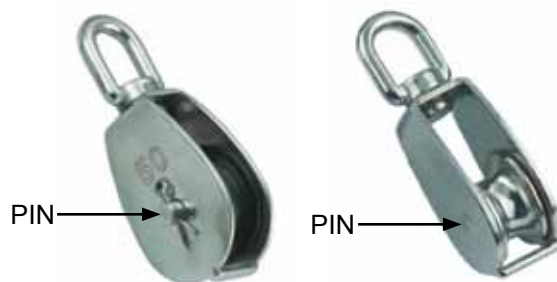
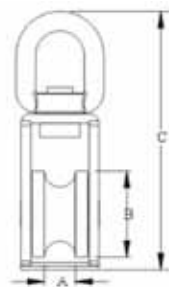
Part No. 304	Part No. 316	A mm	B mm	C mm	SWL kgs	BL kgs	PIN
41246	41249	10.00	28.00	82.00	375	1500	WELDED
41247	41250	12.00	31.00	95.00	425	1800	WELDED
41248	41251	14.00	50.00	128.00	700	3500	REMOVABLE SPLIT PIN

MAME SWIVEL BLOCK (STAINLESS CAST SHEAVE WITH EYE END), SS304 OR SS316



Part No. 304	Part No. 316	A mm	B mm	C mm	SWL kgs	BL kgs
41252	41255	10.50	27.00	80.00	375	1500
41253	41256	12.00	32.00	121.00	425	1800
41254	41257	14.20	50.50	127.00	700	3500

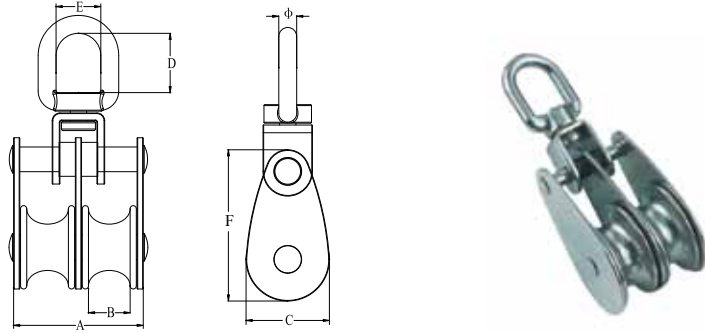
MAME SWIVEL BLOCK (NYLON SHEAVE), SS304 OR SS316



Part No. 304	Part No. 316	A mm	B mm	C mm	PIN
41258	41261	10.00	25.00	79.00	WELDED
41259	41262	11.00	32.00	95.00	WELDED
41260	41263	14.80	49.70	128.00	REMOVABLE SPLIT PIN

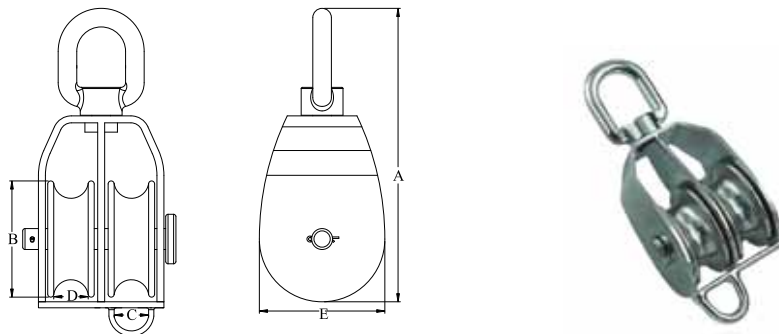


MAME SWIVEL BLOCK (DOUBLE CAST SHEAVE), SS304 OR SS316



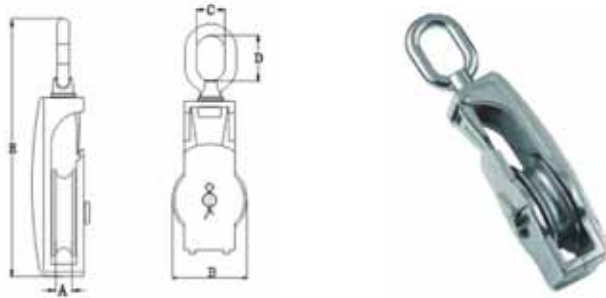
Part No. 304	Part No. 316	φ mm	A mm	B mm	C mm	D mm	E mm	F mm	SWL kgs	BL kgs
41270	41273	5.00	37.80	10.00	27.00	17.00	13.00	49.00	238	950
41271	41274	6.00	38.00	10.20	35.00	20.00	15.00	60.00	238	950
41272	41275	8.00	51.30	15.20	54.00	26.00	20.90	85.00	700	2800

MAME SWIVEL BLOCK (DOUBLE CAST SHEAVE WITH EYE END), SS304 OR SS316



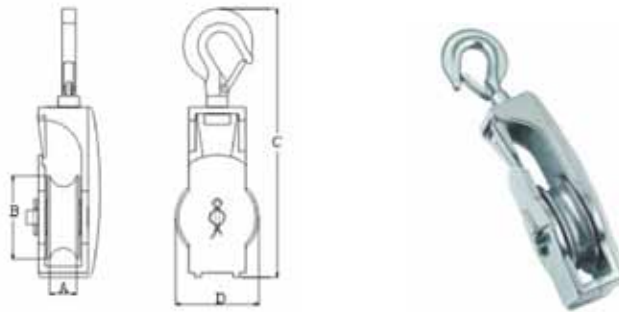
Part No. 304	Part No. 316	A mm	B mm	C mm	D mm	E mm	SWL kgs	BL kgs
41276	41279	81.00	25.00	11.80	14.00	30.00	500	2000
41277	41280	95.00	32.00	11.80	14.00	35.60	575	2300
41278	41281	129.00	50.00	15.00	15.30	54.00	850	3400

SEINE BLOCK (EYE TOP), SS304 OR SS316



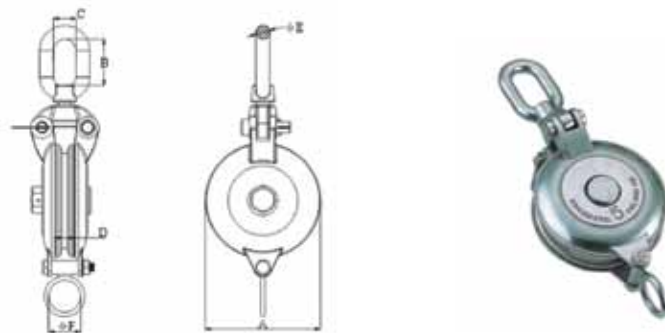
Part No. 304	Part No. 316	A mm	B mm	C mm	D mm	E mm	SWL kgs	BL kgs
41292	41294	14.00	50.00	19.00	27.50	155.00	875	3500
38666	41293	15.00	75.00	24.00	40.50	222.00	1375	5500

SEINE BLOCK (HOOK TOP), SS304 OR SS316

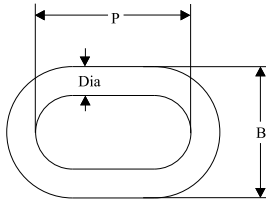


Part No. 304	Part No. 316	A mm	B mm	C mm	D mm	SWL kgs	BL kgs
41295	41296	15.00	75.00	270.00	75.00	575	2300

RATED SNATCH BLOCK FOR ROPE, SS304 OR SS316



Part No. 304	Part No. 316	A mm	B mm	C mm	D mm	E mm	F mm	TYPE R/V
41327	41330	111.60	49.90	24.00	21.60	12.50	20.50	ROPE
41328	41331	138.00	52.00	26.90	22.80	14.00	31.30	ROPE
41329	41332	174.60	53.00	29.00	34.90	18.80	31.00	ROPE



A.SHORT LINK CHAIN (DIN 766)

Part No. 316	Size (D) mm	P mm	B mm	Wgt. KG/M	Breaking Strain
6920	M2*	22.00	8.00	0.16	150 Kg
16915	M3	16.00	11.00	0.16	800 Kg
6921	M4	16.00	14.00	0.32	1350 Kg
16916	M5	18.50	17.00	0.50	1970 Kg
6922	M6	18.50	20.00	0.75	2880 Kg
6923	M8	24.00	26.00	1.35	5100 Kg
6924	M10	28.00	34.00	2.25	7900 Kg

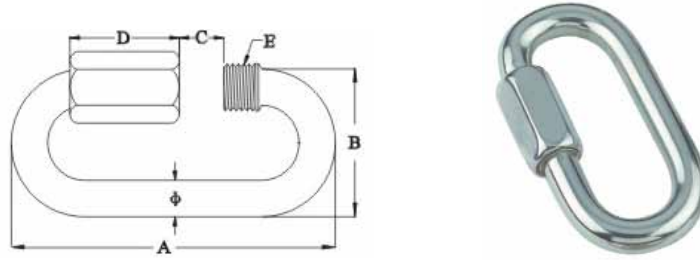
* M2 IS DIN 763

B.MEDIUM LINK CHAIN

Part No. 316	Size (D) mm	P mm	B mm	Wgt. KG/M	Breaking Strain
43998	M2	12.00	8.00	0.10	280 Kg
43999	M3	16.00	12.00	0.16	450 Kg
44000	M4	19.00	16.00	0.30	800 Kg
44001	M5	21.00	20.00	0.45	1200 Kg
44002	M6	24.00	24.00	0.70	1800 Kg
44003	M8	32.00	32.00	1.30	3200 Kg
44004	M10	40.00	40.00	2.00	5000 Kg
44005	M12	48.00	48.00	2.90	7200 Kg

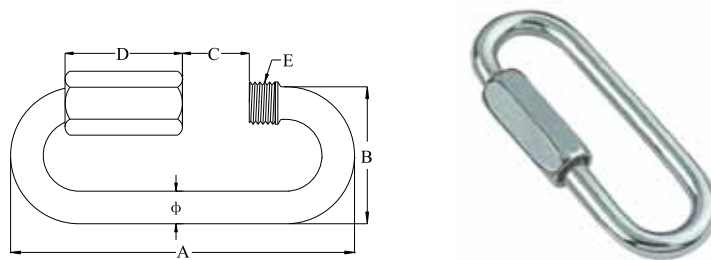
MARINE AND ARCHITECTURAL HARDWARE

QUICK LINK, SS304 OR SS316

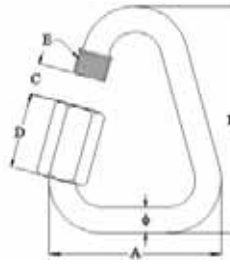


Part No. 304	Part No. 316	φ mm	A mm	B mm	C mm	D mm	E mm	SWL kgs	BL kgs
39011	39023	3.50	36.00	17.00	5.00	12.00	M5x1.90	220	1100
39012	39024	4.00	39.50	19.50	6.00	14.00	M6x1.00	280	1400
39013	39025	5.00	49.50	23.00	7.00	17.00	M7x1.00	450	2250
39014	39026	6.00	57.00	26.50	8.00	20.00	M9x1.25	650	3250
39015	39027	7.00	66.00	30.00	9.00	22.50	M10x1.25	900	4500
39016	39028	8.00	74.00	33.50	10.00	24.00	M11x1.25	1100	5500
39017	39029	9.00	80.00	37.00	11.00	27.00	M12x1.25	1400	7000
39018	39030	10.00	89.00	40.50	12.00	30.00	M13x1.25	1800	9000
39019	39031	12.00	104.50	47.50	14.00	34.00	M15x1.50	2500	12500
39020	39032	14.00	121.00	54.50	17.00	38.50	M17x1.50	3500	17500
39021	39033	16.00	140.00	61.50	19.00	45.00	M19x1.50	4500	22500
39022	39034	18.00	157.00	68.50	23.00	52.00	M22x1.50	5400	27000

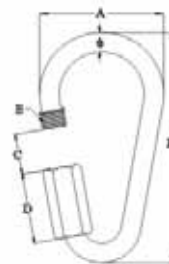
QUICK LINK WIDE JAW, SS304 OR SS316



Part No. 304	Part No. 316	φ mm	A mm	B mm	C mm	D mm	E mm	SWL kgs	BL kgs
39035	39047	3.50	46.00	17.75	10.00	16.00	M5x0.90	200	1000
39036	39048	4.00	53.00	20.50	11.50	19.00	M6x1.00	250	1250
39037	39049	5.00	62.00	24.00	13.00	22.00	M7x1.00	400	2000
39038	39050	6.00	70.50	28.00	14.50	25.00	M9x1.25	580	2900
39039	39051	7.00	79.00	31.50	16.00	28.00	M10x1.25	800	4000
39040	39052	8.00	88.00	35.00	17.50	31.50	M11x1.25	980	4900
39041	39053	9.00	95.00	38.50	19.00	33.00	M12x1.25	1250	6250
39042	39054	10.00	105.50	42.00	20.50	36.00	M13x1.25	1600	8000
39043	39055	12.00	124.00	49.00	23.50	43.00	M15x1.50	2200	11000
39044	39056	14.00	142.00	56.00	26.50	49.00	M17x1.50	3100	15500
39045	39057	16.00	161.00	63.00	29.50	54.00	M19x1.50	4000	20000
39046	39058	18.00	176.50	70.50	32.50	62.00	M22x1.50	4900	24500

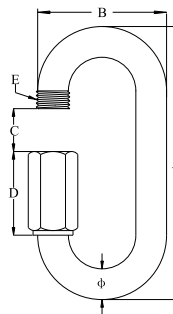
DELTA SHAPE QUICK LINK, SS304 OR SS316


Part No. 304	Part No. 316	φ mm	A mm	B mm	C mm	D mm	E mm	SWL kgs	BL kgs
39059	39071	3.50	31.00	36.00	5.00	12.00	M5x0.90	150	750
39060	39072	4.00	35.00	40.00	6.00	13.00	M6x1.00	200	1000
39061	39073	5.00	40.00	48.00	7.00	17.00	M7x1.00	325	1650
39062	39074	6.00	47.00	56.00	8.00	20.00	M9x1.25	450	2250
39063	39075	7.00	51.00	63.00	9.00	22.50	M10x1.25	625	3125
39064	39076	8.00	56.00	73.00	10.00	24.00	M11x1.25	770	3850
39065	39077	9.00	60.00	78.00	11.00	27.00	M12x1.25	980	4900
39066	39078	10.00	66.00	87.00	12.00	30.00	M13x1.25	1250	6250
39067	39079	12.00	75.00	104.00	15.00	33.00	M15x1.50	1750	8750
39068	39080	14.00	85.00	123.00	17.00	38.50	M17x1.50	2450	12250
39069	39081	16.00	93.00	138.00	19.00	45.00	M19x1.50	3150	15750
39070	39082	18.00	102.00	155.00	23.00	52.00	M22x1.50	4200	21000

PEAR SHAPE QUICK LINK, SS304 OR SS316


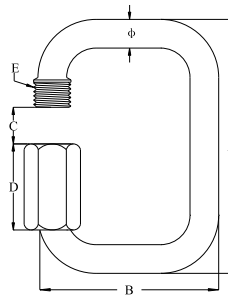
Part No. 304	Part No. 316	φ mm	A mm	B mm	C mm	D mm	E mm	SWL kgs	BL kgs
39083	39094	3.50	27.50	53.00	10.00	16.00	M5x0.90	130	650
39084	39095	4.00	32.00	61.00	11.50	19.00	M6x1.00	170	850
39085	39096	5.00	37.00	70.50	13.00	22.00	M7x1.00	270	1350
39086	39097	6.00	42.50	82.50	14.50	25.00	M9x1.25	400	2000
39087	39098	7.00	48.00	90.50	16.00	28.00	M10x1.25	550	2750
39088	39099	8.00	53.00	100.00	17.50	31.50	M11x1.25	660	3300
39089	39100	9.00	58.00	108.00	19.00	33.00	M12x1.25	840	4200
39090	39101	10.00	63.50	118.00	20.50	36.00	M13x1.25	1100	5500
39091	39102	12.00	76.00	144.00	23.50	43.00	M15x1.50	1500	7500
39092	39103	14.00	85.00	157.60	26.50	49.00	M17x1.50	2100	10500
39093	39104	16.00	95.50	176.50	29.50	54.00	M19x1.50	2700	13500

QUICK LINK, SS304 OR SS316



Part No. 304	Part No. 316	φ mm	A mm	B mm	C mm	D mm	E mm
39105	39111	3.00	35.00	16.50	6.00	12.00	M3.50x0.60
39106	30101	4.00	43.00	18.50	7.00	14.00	M4.50x0.75
39107	39112	5.00	52.00	22.50	8.50	18.00	M5.50x1.00
39108	30016	6.00	61.50	27.00	9.50	21.00	M6.50x1.00
39109	19440	8.00	77.00	35.50	11.00	25.00	M9.00x1.25
39110	30102	10.00	89.00	42.00	13.50	28.00	M10.50x1.25

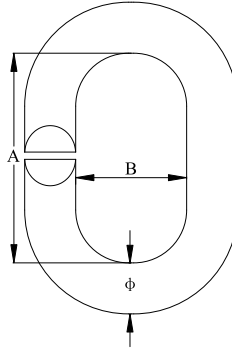
SQUARE SHAPE QUICK LINK, SS304 OR SS316



Part No. 304	Part No. 316	φ mm	A mm	B mm	C mm	D mm	E mm	SWL kgs	BL kgs
39113	39124	3.50	34.50	29.00	5.00	12.00	M5x0.90	150	750
39114	39125	4.00	39.50	33.00	5.50	14.00	M6x1.00	200	1000
39115	39126	5.00	47.50	38.00	6.50	17.00	M7x1.00	325	1625
39116	39127	6.00	55.00	43.00	7.50	20.00	M9x1.25	450	2250
39117	39128	7.00	63.50	48.00	8.50	22.50	M10x1.25	625	3125
39118	39129	8.00	71.00	53.00	10.00	24.00	M11x1.25	770	3850
39119	39130	9.00	78.00	58.00	11.00	27.00	M12x1.25	980	4900
39120	39131	10.00	88.50	63.00	12.00	30.00	M13x1.25	1250	6250
39121	39132	12.00	102.00	74.00	15.00	34.00	M15x1.50	1750	8750
39122	39133	14.00	117.00	85.00	17.00	38.50	M17x1.50	2100	10500
39123	39134	16.00	135.00	96.00	19.00	45.00	M19x1.50	2700	13500

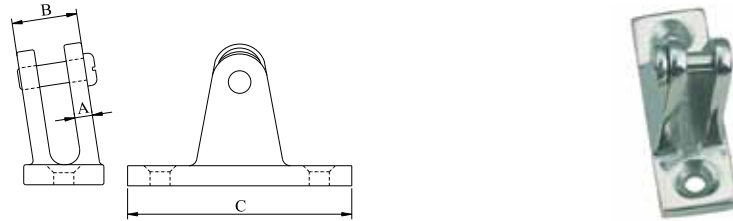


C-LINK, SS304 OR SS316



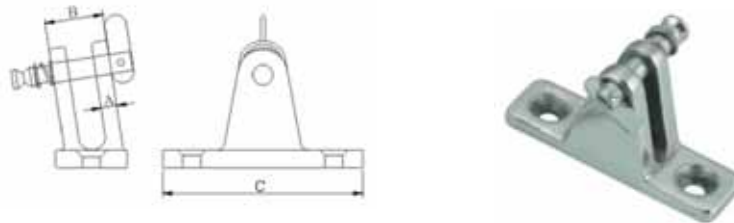
Part No. 304	Part No. 316	φ mm	A mm	B mm
40092	40103	5.00	20.00	8.00
40093	40104	6.00	24.00	9.00
40094	40105	8.30	32.80	12.00
40095	40106	8.80	36.40	14.00
40096	31283	9.60	41.70	16.70
40097	40107	10.70	45.60	17.50
40098	40108	12.80	52.00	20.50
40099	40109	15.80	64.00	24.00
40100	40110	18.80	76.50	27.80
40101	40111	21.20	88.50	33.30
40102	40112	25.00	100.00	37.00

DECK HINGE (ANGLED SIDE MOUNT), SS304 OR SS316



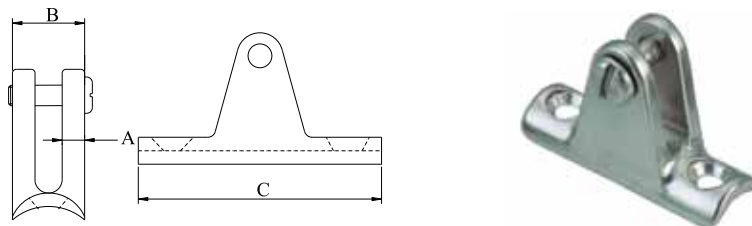
Part No. 304	Part No. 316	A mm	B mm	C mm
40408	40409	4.20	16.20	55.60

DECK HINGE (ANGLED SIDE MOUNT WITH REMOVABLE PIN), SS304 OR SS316



Part No. 304	Part No. 316	A mm	B mm	C mm
40412	40413	4.20	16.20	55.60

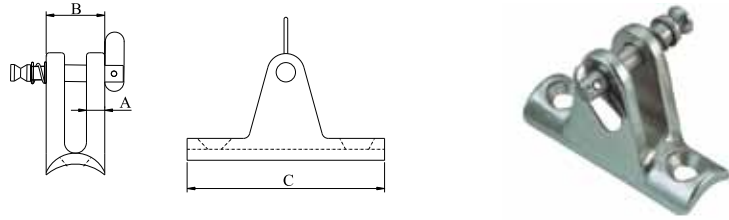
DECK HINGE (RAIL MOUNT), SS304 OR SS316



Part No. 304	Part No. 316	TUBE inch	A mm	B mm	C mm
40410	40411	7/8"	4.40	16.90	56.60

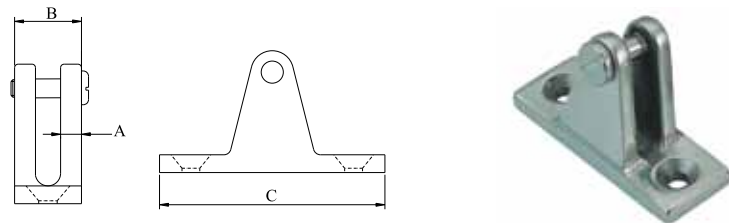


DECK HINGE (RAIL MOUNT WITH REMOVABLE PIN), SS304 OR SS316



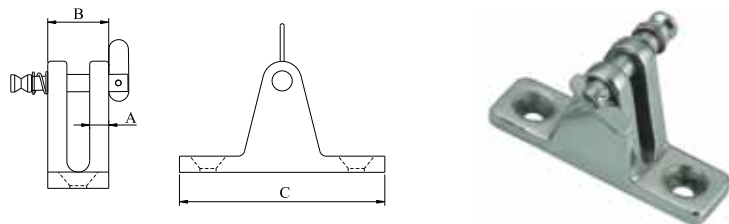
Part No. 304	Part No. 316	TUBE inch	A mm	B mm	C mm
40414	40415	7/8"	4.40	16.90	56.60

90° DECK HINGE, SS304 OR SS316



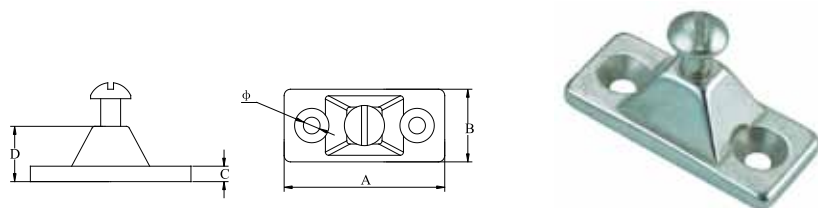
Part No. 304	Part No. 316	A mm	B mm	C mm
40 418	40419	4.20	16.50	55.40

DECK HINGE WITH REMOVABLE PIN, SS304 OR SS316



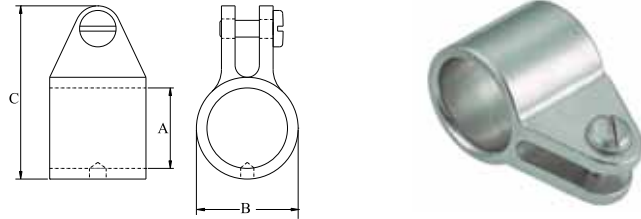
Part No. 304	Part No. 316	A mm	B mm	C mm
40420	40421	5.70	18.50	62.40

DECK HINGE, SS304 OR SS316



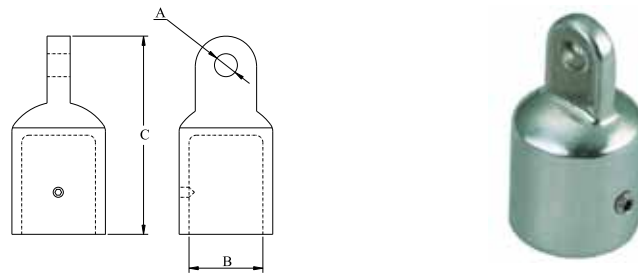
Part No. 304	Part No. 316	φ mm	A mm	B mm	C mm	D mm
40416	40417	6.10	49.50	22.00	4.70	17.20

RAIL FITTING (TOP SLIDE CAP), SS304 OR SS316



Part No. 304	Part No. 316	TUBE inch	A mm	B mm	C mm
40403	40406	3/4"	20.30	25.00	45.00
40404	40407	7/8"	23.00	28.00	55.00
40402	40405	1"	26.30	33.50	57.00

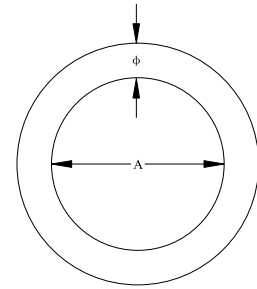
RAIL FITTING (TOP CAP), SS304 OR SS316



Part No. 304	Part No. 316	TUBE inch	A mm	B mm	C mm
40391	40394	3/4"	6.50	20.00	53.80
40392	40395	7/8"	7.80	23.20	59.00
40390	40393	1"	7.80	26.50	59.30

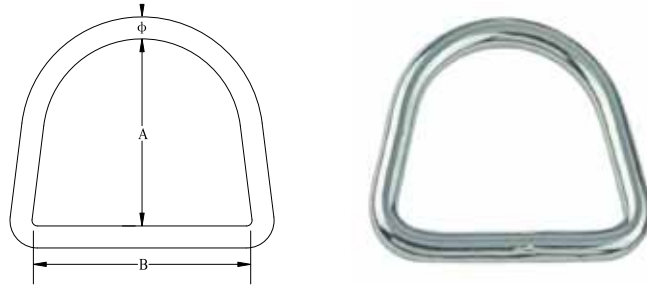
ROUND RING WELDED, SS304 OR SS316

Part No. 304	Part No. 316	ϕ mm	A mm	SWL kgs	BL kgs
39161	39244	3.00	15.00	162	650
39162	39245	3.00	20.00	162	650
39163	39246	3.00	25.00	162	650
39167	39250	4.00	20.00	250	1000
30105	39251	4.00	25.00	250	1000
<i>39168</i>	39252	4.00	30.00	250	1000
<i>39169</i>	39253	4.00	35.00	250	1000
<i>39170</i>	39254	4.00	40.00	250	1000
39171	39255	5.00	20.00	500	2000
39172	39256	5.00	25.00	500	2000
39173	39257	5.00	30.00	500	2000
19187	39258	5.00	35.00	500	2000
30001	39259	5.00	40.00	500	2000
<i>39176</i>	39262	5.00	60.00	500	2000
39177	<i>39263</i>	5.00	65.00	500	2000
39178	39264	6.00	25.00	675	2700
39179	<i>39265</i>	6.00	30.00	675	2700
<i>39180</i>	<i>39266</i>	6.00	35.00	675	2700
39181	39267	6.00	40.00	675	2700
<i>39182</i>	<i>39268</i>	6.00	45.00	675	2700
19188	39269	6.00	50.00	675	2700
39195	<i>39282</i>	8.00	40.00	1250	5000
<i>39196</i>	<i>39283</i>	8.00	45.00	1250	5000
39197	39284	8.00	50.00	1250	5000
39198	<i>39285</i>	8.00	55.00	1250	5000
<i>39199</i>	39286	8.00	60.00	1250	5000
<i>39200</i>	<i>39287</i>	8.00	65.00	1250	5000
<i>39201</i>	<i>39288</i>	8.00	70.00	1250	5000
19189	39289	8.00	75.00	1250	5000
<i>39202</i>	<i>39290</i>	8.00	80.00	1250	5000
<i>39203</i>	<i>39291</i>	8.00	90.00	1250	5000
39204	<i>39292</i>	8.00	100.00	1250	5000
39212	<i>39300</i>	10.00	40.00	2125	8500
39213	39301	10.00	50.00	2125	8500
39218	39306	10.00	75.00	2125	8500
39219	39307	10.00	80.00	2125	8500
<i>39220</i>	<i>39308</i>	10.00	90.00	2125	8500
39221	39309	10.00	100.00	2125	8500
39226	<i>39314</i>	12.00	80.00	2500	10000
<i>39227</i>	<i>39315</i>	12.00	90.00	2500	10000
39228	<i>39316</i>	12.00	100.00	2500	10000
<i>39229</i>	<i>39317</i>	12.00	110.00	2500	10000
39230	<i>39318</i>	12.00	120.00	2500	10000



MARINE AND ARCHITECTURAL HARDWARE

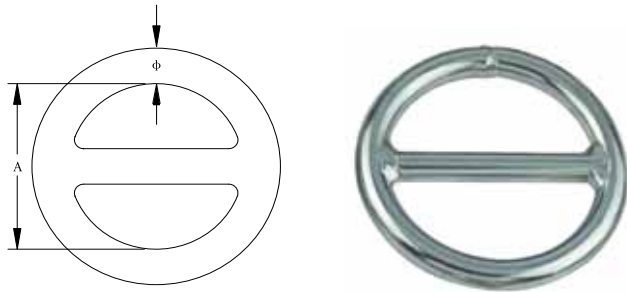
DEE RING WELDED, SS304 OR SS316



Part No. 304	Part No. 316	φ mm	A mm	B mm	SWL kgs	BL kgs
39350	39366	3.00	22.00	26.00	150	600
31277	39367	4.00	22.00	37.00	200	800
39351	39368	4.00	25.00	30.00	200	800
31278	39371	5.00	22.00	26.00	250	1000
39354	39372	5.00	25.00	30.00	250	1000
39355	39373	5.00	35.00	40.00	250	1000
31279	39374	5.00	43.00	51.00	250	1000
39356	39375	5.00	51.00	60.00	250	1000
39357	39376	6.00	25.00	30.00	450	1800
40964	40956	6.00	30.00	35.00	450	1800
31280	39377	6.00	34.00	39.00	450	1800
31281	39378	6.00	43.00	51.00	450	1800
39358	39379	6.00	51.00	60.00	450	1800
31282	39380	8.00	43.00	51.00	700	2800
39360	39382	8.00	68.00	80.00	700	2800
39361	39383	10.00	47.00	50.00	1250	5000
39364	39386	10.00	77.00	80.00	1250	5000
39365	39387	10.00	97.00	100.00	1250	5000

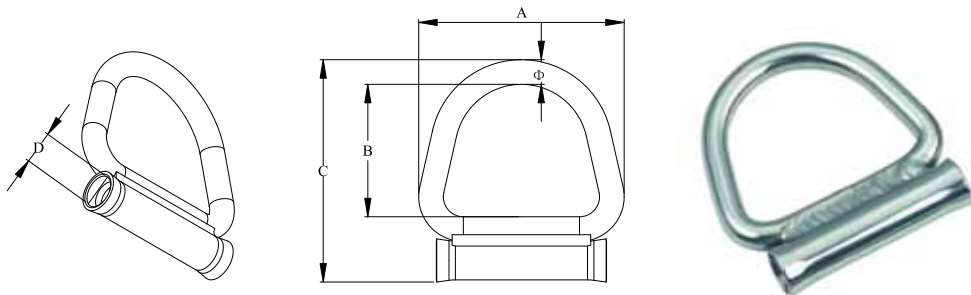


ROUND RING (CENTER CROSS BAR) WELDED, SS304 OR SS316



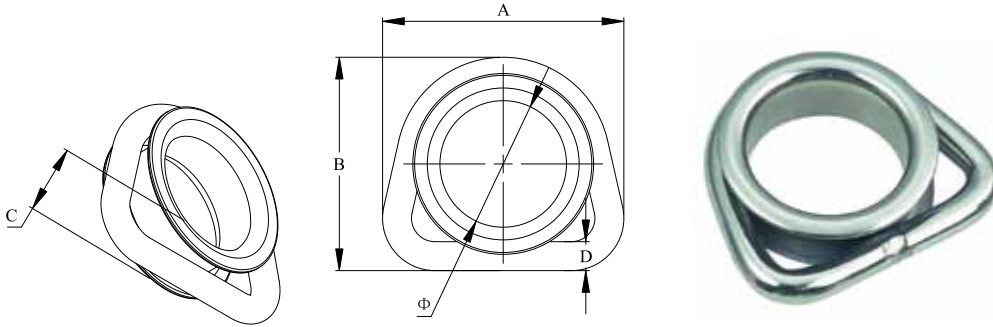
Part No. 304	Part No. 316	φ mm	A mm	SWL kgs	BL kgs
39332	39341	6.00	30.00	675	2700
39333	39342	6.00	40.00	675	2700
39334	39343	8.00	40.00	1250	5000
39335	39344	8.00	50.00	1250	5000
39336	39345	9.00	60.00	1550	6200
39337	39346	10.00	60.00	2125	8500
39338	39347	10.00	70.00	2125	8500
39339	39348	10.00	80.00	2125	8500
39340	39349	12.00	80.00	2500	10000

WIRE SUPPORT D-RING, SS304 OR SS316



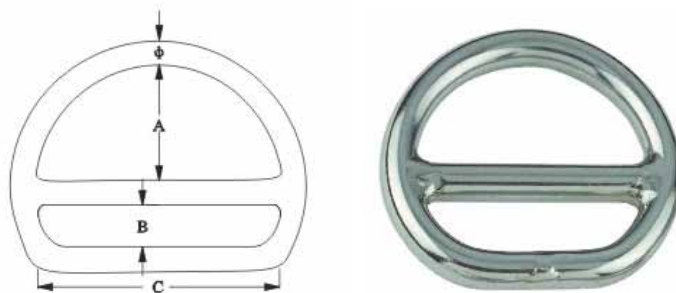
Part No. 304	Part No. 316	φ mm	A mm	B mm	C mm	D mm
39388	39389	8.00	66.00	43.00	71.00	10.00

DEE RING THIMBLE, SS304 OR SS316



Part No. 304	Part No. 316	ϕ mm	A mm	B mm	C mm	D mm
39390	39391	35.00	66.50	59.00	19.00	8.00

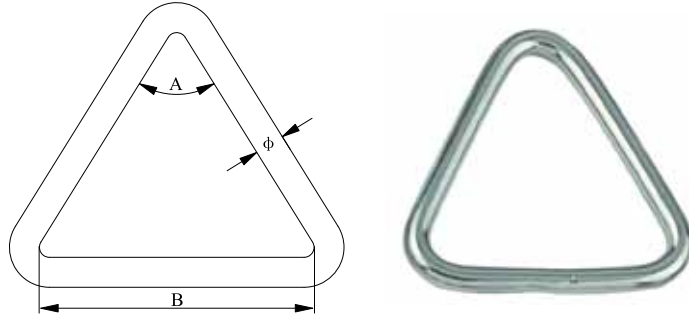
DOUBLE LAYER DEE RING WELDED, SS304 OR SS316



Part No. 304	Part No. 316	ϕ mm	A mm	B mm	C mm	SWL kgs	BL kgs
39392	39397	5.00	25.00	10.00	45.00	250	1000
39393	39398	6.00	25.00	10.00	45.00	450	1800
39394	39399	6.00	28.00	10.00	50.00	450	1800
39395	39400	8.00	25.00	10.00	45.00	700	2800
39396	39401	8.00	28.00	10.00	50.00	700	2800

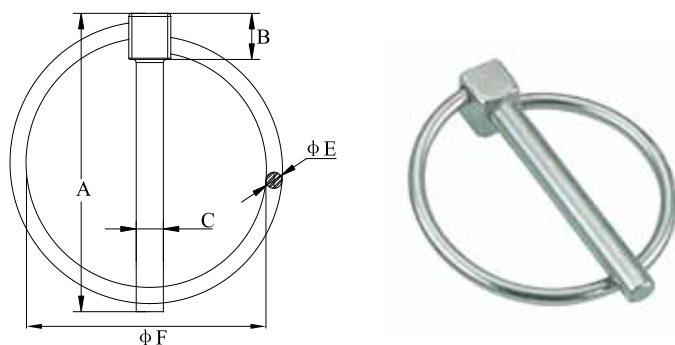


TRIANGLE RING WELDED, SS304 OR SS316



Part No. 304	Part No. 316	φ mm	A mm	B mm	SWL kgs	BL kgs
39416	39422	4.00	60°	30.00	150	600
39417	39423	5.00	60°	20.00	225	900
<i>39418</i>	<i>39424</i>	5.00	60°	30.00	325	1300
39419	39425	5.00	60°	40.00	325	1300
<i>40968</i>	<i>40960</i>	5.00	60°	44.00	325	1300
<i>39420</i>	<i>39426</i>	6.00	60°	39.50	500	2000
<i>40254</i>	<i>40259</i>	6.00	60°	45.00	500	2000
31274	39427	6.00	60°	50.80	500	2000
<i>39421</i>	<i>39428</i>	8.00	60°	45.50	700	2800
31275	39429	8.00	60°	50.00	700	2800

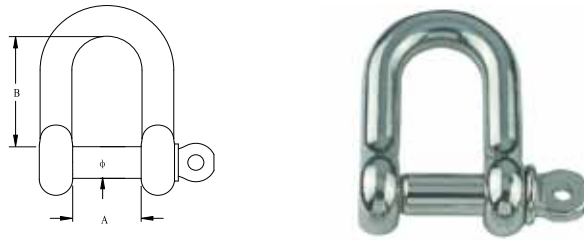
LINCH PIN, SS304 OR SS316



Part No. 304	Part No. 316	A mm	B mm	C mm	φ E mm	φ F mm
39402	39406	47.90	7.20	4.20	2.50	37.80
39403	39407	55.90	7.60	6.00	3.20	40.50
39404	39408	56.40	8.60	7.50	3.20	41.40
39405	39409	56.80	10.70	10.60	3.20	44.00

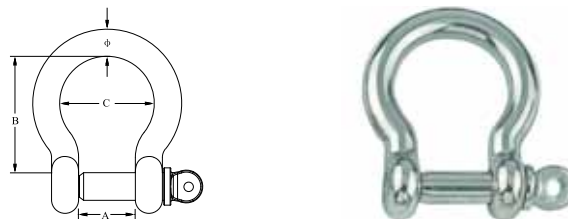
MARINE AND ARCHITECTURAL HARDWARE

STANDARD D-SHACKLE, SS304 OR SS316



Part No. 304	Part No. 316	φ mm	A mm	B mm	SWL kgs	BL kgs
39485	6967	4.00	8.30	15.00	138	550
39486	6968	5.00	11.30	17.00	250	1000
39487	6969	6.00	12.30	21.00	425	1700
39488	39498	7.00	14.00	24.50	500	2000
39489	6970	8.00	17.00	28.60	625	2500
40174	40186	9.00	18.50	32.30	800	3200
39490	6971	10.00	20.00	35.00	1025	4100
39491	19196	12.00	25.00	45.50	1350	5400
40171	40183	13.00	27.50	50.00	1525	6100
40156	40164	14.00	28.00	49.00	1625	6500
39492	33702	16.00	32.00	56.00	2200	8800
39493	39499	19.00	38.50	67.00	2500	10000

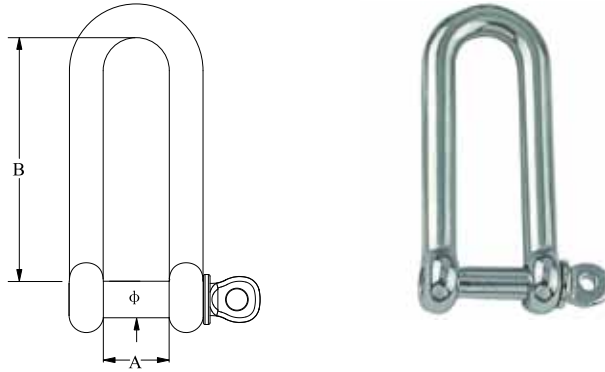
ANCHOR/BOW SHACKLE, SS304 OR SS316



Part No. 304	Part No. 316	φ mm	A mm	B mm	C mm	SWL kgs	BL kgs
39504	39517	4.00	8.00	20.00	13.00	138	550
39505	19200	5.00	10.80	23.00	17.00	300	1200
39506	19201	6.00	13.00	31.00	21.00	425	1700
39507	19202	8.00	17.50	36.50	28.00	625	2500
39508	19203	10.00	21.50	44.00	35.50	1075	4300
39509	19204	12.00	27.00	52.50	41.00	1550	6200
39510	39518	13.00	25.80	60.00	42.00	1585	6340
39511	39519	14.00	28.00	57.50	46.70	1625	6500
39512	39520	16.00	32.00	73.50	54.00	1750	7000
39513	39521	19.00	35.60	85.00	64.40	3500	14000
39514	39522	22.00	41.00	94.00	74.00	4250	17000
39515	39523	25.00	47.00	105.50	84.00	5000	20000
39516	39524	28.00	53.00	116.50	94.50	5750	23000

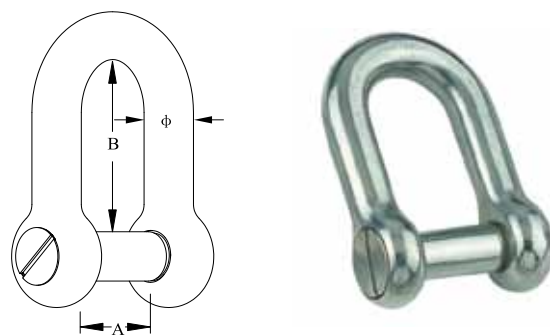


D-SHACKLE LONG TYPE, SS304 OR SS316



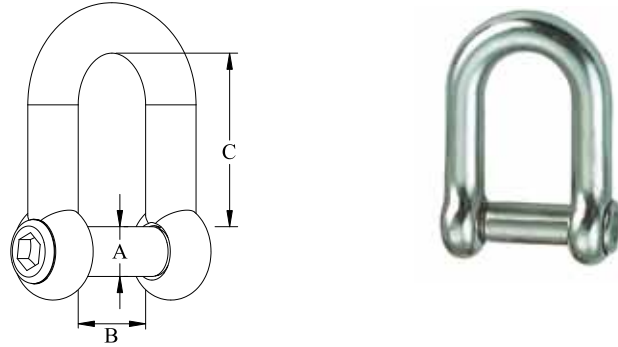
Part No. 304	Part No. 316	φ mm	A mm	B mm	SWL kgs	BL kgs
39551	39557	4.00	7.50	31.30	175	700
39552	39558	5.00	9.50	37.00	312	1250
39553	19197	6.00	13.50	45.30	450	1800
39554	19198	8.00	16.50	60.00	687	2750
39555	19199	10.00	20.80	75.50	821	3250
39556	39559	12.00	25.00	90.00	1600	6400

D-SHACKLE (WITH SLOT SINK PIN), SS304 OR SS316



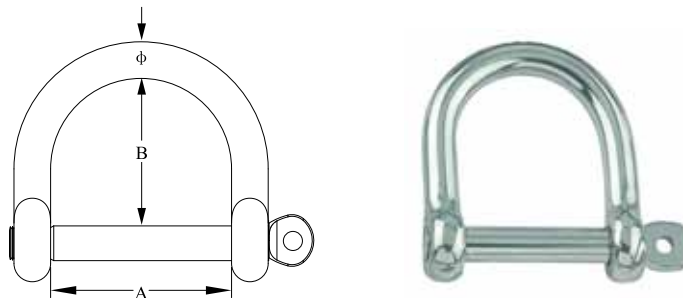
Part No. 304	Part No. 316	φ mm	A mm	B mm	SWL kgs	BL kgs
39560	39566	4.00	8.00	15.00	138	550
39561	39567	5.00	10.50	17.70	250	1000
39562	39568	6.00	13.00	21.00	425	1700
39563	39569	8.00	17.50	28.90	500	2000
39564	39570	10.00	20.00	35.00	625	2500
39565	39571	12.00	25.00	40.00	800	3200

D-SHACKLE (WITH HEXAGONAL SOCKET SINK PIN), SS304 OR SS316



Part No. 304	Part No. 316	A mm	B mm	C mm	SWL kgs	BL kgs
40159	40167	5.00	10.00	17.50	250	1000
39572	39580	6.00	13.00	20.70	425	1700
39573	39581	8.00	16.80	27.80	625	2500
39574	39582	10.00	20.00	35.00	1025	4100
39575	39583	12.00	24.60	40.50	1350	5400
39576	39584	13.00	27.00	45.80	1525	6100
39577	39585	14.00	28.90	49.00	1625	6500
39578	39586	16.00	32.00	56.00	2200	8800
39579	39587	19.00	38.00	64.00	4000	16000
40158	40166	22.00	39.00	74.00	4750	19000

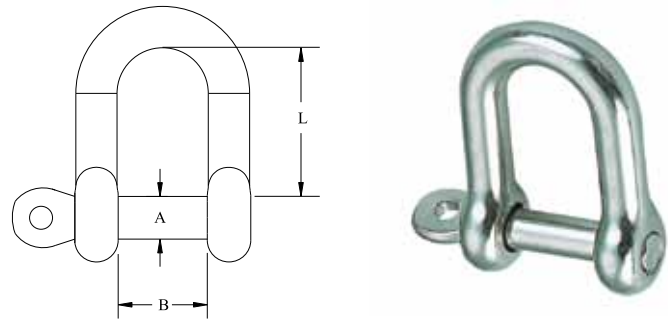
D-SHACKLE WIDE TYPE, SS304 OR SS316



Part No. 304	Part No. 316	φ mm	A mm	B mm	SWL kgs	BL kgs
39588	39593	5.00	25.50	20.40	188	750
39589	39594	6.00	24.00	33.50	338	1350
39590	39595	8.00	28.70	31.00	625	2500
39591	39596	10.00	41.50	55.00	834	3350
39592	39597	12.00	47.60	66.00	1000	4000

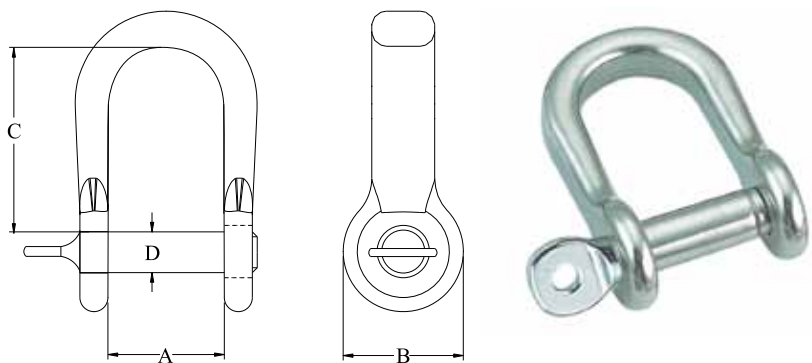


D-SHACKLE (WITH CAPTIVE PIN), SS304 OR SS316



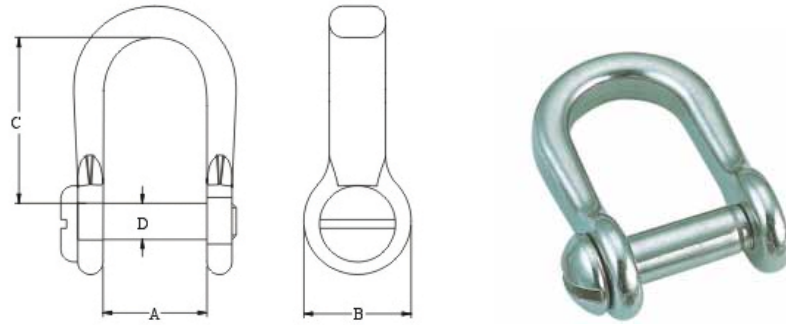
Part No. 304	Part No. 316	A mm	B mm	L mm	SWL kgs	BL kgs
40155	40163	4.00	9.00	14.80	137	550
39650	37650	5.00	10.40	17.80	250	1000
39651	37651	6.00	13.00	22.50	425	1700
40160	40168	7.00	14.70	24.50	500	2000
39652	37652	8.00	17.30	28.60	625	2500
40157	40165	9.00	18.90	32.00	800	3200
39653	37653	10.00	22.60	35.60	1025	4100
39654	39655	12.00	25.00	42.40	1350	5400
40154	40162	14.00	27.00	49.50	1625	6500
40640	40646	16.00	32.00	48.70	2200	8800

D-SHACKLE SEMI ROUND TYPE, SS304 OR SS316



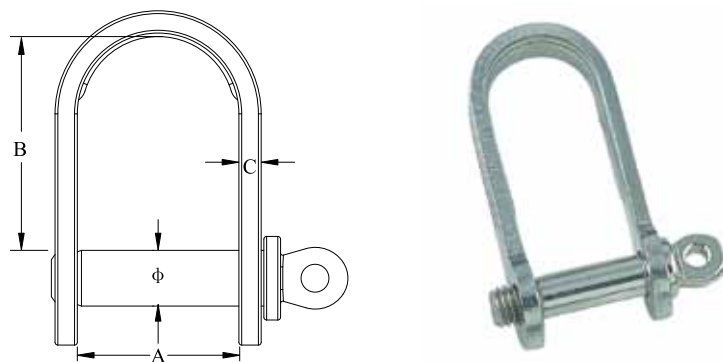
Part No. 304	Part No. 316	A mm	B mm	C mm	D mm	SWL kgs	BL kgs
39694	39697	12.00	12.00	18.50	5.00	237	950
39695	39698	13.00	13.00	22.00	6.00	375	1500
39696	39699	18.00	16.50	27.00	8.00	650	2600

D-SHACKLE SEMI ROUND TYPE (WITH SLOT SCREW PIN), SS304 OR SS316



Part No. 304	Part No. 316	A mm	B mm	C mm	D mm	SWL kgs	BL kgs
39700	39703	12.00	12.00	18.50	5.00	237	950
39701	39704	13.00	13.00	22.00	6.00	375	1500
39702	39705	18.00	16.50	27.00	8.00	650	2600

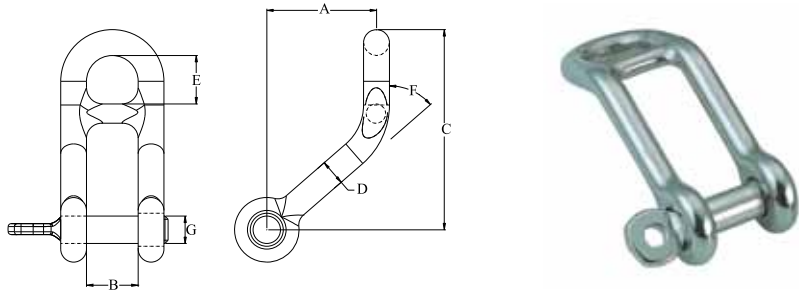
STRAP-SHACKLE WITH SCREW PIN, SS304 OR SS316



Part No. 304	Part No. 316	φ mm	A mm	B mm	C mm	SWL kgs	BL kgs
33705	<i>39708</i>	4.00	9.50	18.00	1.90	70	220
33707	<i>39709</i>	5.00	11.80	21.30	2.00	90	300
39706	<i>39710</i>	6.00	15.00	26.50	3.20	120	500
39707	<i>39711</i>	8.00	21.60	45.00	3.90	200	900

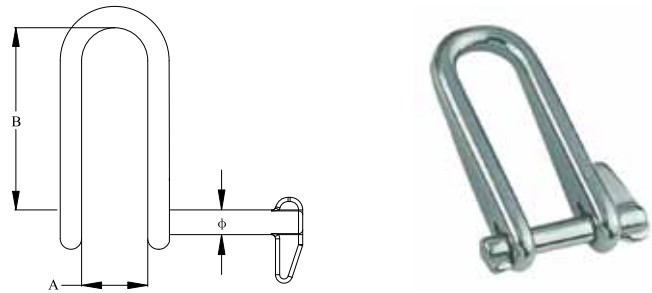


HEAD BOARD SHACKLE CROSS BAR AND LOCKING PIN, SS304 OR SS316



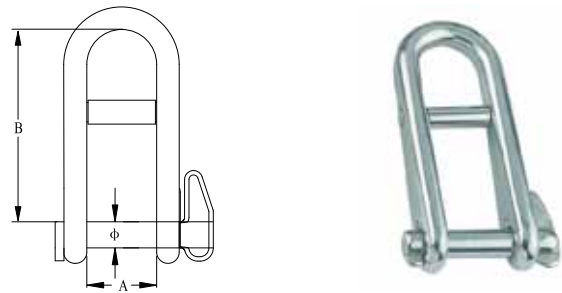
Part No. 304	Part No. 316	A mm	B mm	C mm	D mm	E mm	F mm	G mm	SWL kgs	BL kgs
39712	39716	25.00	11.80	46.50	6.00	11.70	49.00	M8	475	1900
39713	39717	43.50	15.00	63.00	8.00	15.40	49.00	M10	925	3700
39714	39718	42.50	19.50	77.30	10.00	18.70	49.00	M12	1300	5200
39715	39719	49.00	22.00	93.00	12.00	22.50	49.00	M14	1625	6500

HALYARD SHACKLE (WITH LOCKING PIN), SS304 OR SS316



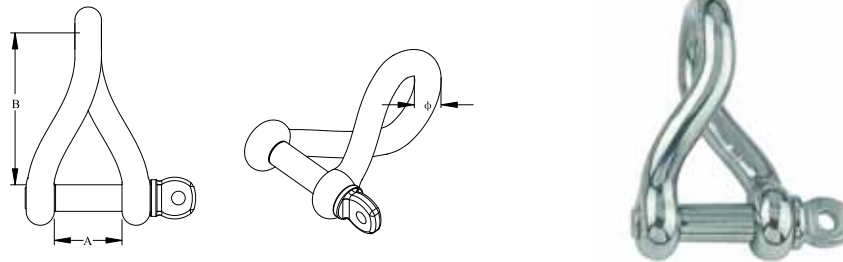
Part No. 304	Part No. 316	φ mm	A mm	B mm	SWL kgs	BL kgs
39726	39729	5.00	14.00	38.50	300	1200
39727	39730	6.00	16.50	43.50	400	1600
39728	39731	8.00	22.00	61.00	700	2800

HALYARD SHACKLE (WITH CROSS BAR & LOCKING PIN), SS304 OR SS316



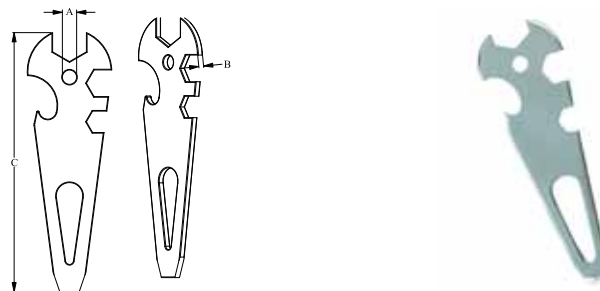
Part No. 304	Part No. 316	φ mm	A mm	B mm	SWL kgs	BL kgs
39720	39723	5.00	14.00	38.50	300	1200
39721	39724	6.00	16.50	43.50	400	1600
39722	39725	8.00	22.00	61.00	700	2800

TWIST SHACKLE, SS304 OR SS316



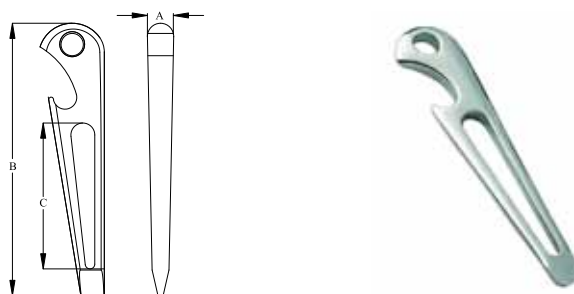
Part No. 304	Part No. 316	ϕ mm	A mm	B mm	SWL kgs	BL kgs
39736	19205	4.00	7.50	22.00	167	665
39737	19206	5.00	10.50	24.50	275	1100
39738	19207	6.00	12.00	33.50	400	1600
39739	19208	8.00	16.00	41.00	700	2800
39740	19209	10.00	20.00	46.00	1150	4600
39741	39742	12.00	26.70	60.00	1500	6000

SHACKLE KEY, SS304 OR SS316



Part No. 304	Part No. 316	A mm	B mm	C mm
39732	39733	5.00	2.50	100.00

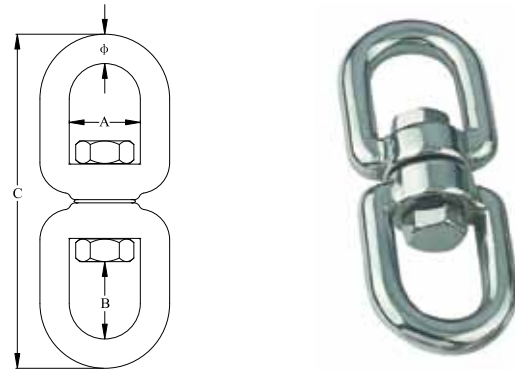
SHACKLE KEY-CAST, SS304 OR SS316



Part No. 304	Part No. 316	A mm	B mm	C mm
39734	39735	4.80	85.50	46.00

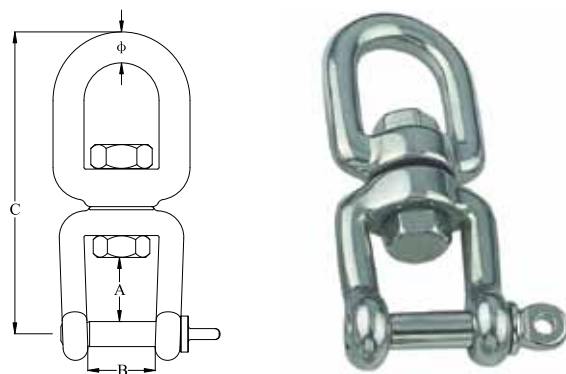


SWIVEL EYE AND EYE, SS304 OR SS316



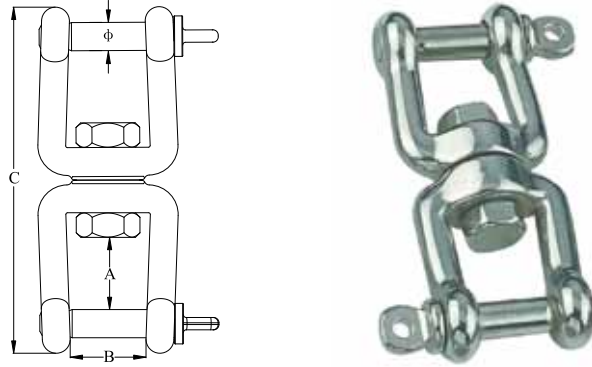
Part No. 304	Part No. 316	φ mm	A mm	B mm	C mm	SWL kgs	BL kgs
39743	39754	4.00	11.50	12.20	50.00	113	450
39744	39755	5.00	13.00	14.00	60.00	163	650
39745	31265	6.00	15.00	15.50	66.00	300	1200
39746	31266	8.00	19.00	21.50	90.00	475	1900
39747	39756	9.00	20.50	24.00	100.00	750	3000
39748	31267	10.00	23.50	26.50	112.00	875	3500
39749	39757	13.00	33.00	33.00	148.00	1250	5000
39750	39758	16.00	38.00	44.00	184.00	2125	8500
39751	39759	19.00	40.50	50.00	223.00	2500	10000
39752	39760	22.00	48.50	58.50	253.00	2875	11500
39753	39761	25.00	64.80	73.00	290.00	3250	13000

SWIVEL EYE AND JAW, SS304 OR SS316



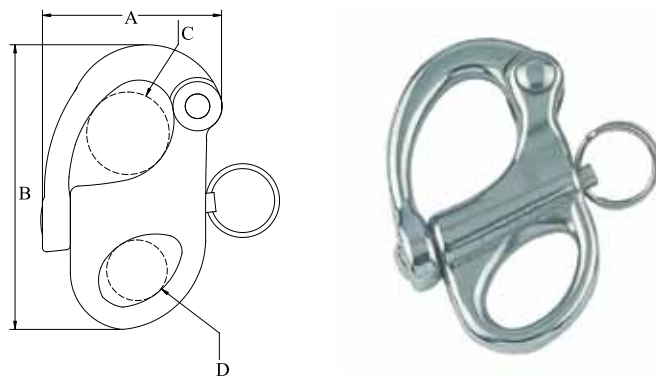
Part No. 304	Part No. 316	φ mm	A mm	B mm	C mm	SWL kgs	BL kgs
39762	39768	6.00	11.80	13.00	65.00	300	1200
39763	39769	8.00	15.50	16.50	88.00	475	1900
39764	39770	10.00	20.50	19.00	111.80	875	3500
39765	39771	13.00	25.50	26.00	146.50	1250	5000
39766	39772	16.00	36.00	31.60	183.00	2125	8500
39767	39773	19.00	40.00	34.50	219.00	2500	10000

SWIVEL JAW AND JAW, SS304 OR SS316



Part No. 304	Part No. 316	ϕ mm	A mm	B mm	C mm	SWL kgs	BL kgs
39774	31269	6.00	12.00	12.00	64.40	300	1200
39775	31270	8.00	15.50	16.00	87.00	475	1900
39776	31271	10.00	20.50	18.50	111.00	875	3500
39777	39778	13.00	25.50	26.00	143.50	1250	5000
40801	40818	16.00	36.00	34.00	182.00	2125	8500
40805	40822	19.00	40.00	35.00	213.00	2500	10000

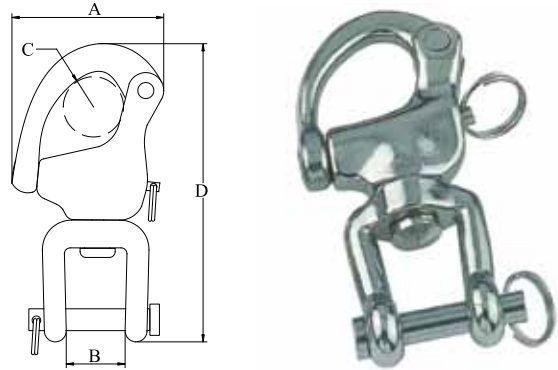
SNAP SHACKLE FIXED EYE, SS304 OR SS316



Part No. 304	Part No. 316	A mm	B mm	C mm	D mm	SWL kgs	BL kgs
39803	39807	22.50	32.00	10.00	5.60	100	400
39804	39808	35.00	55.00	12.50	10.00	275	1100
39805	39809	45.00	70.00	20.00	15.00	500	2000
39806	39810	60.00	96.00	26.50	16.50	875	3500

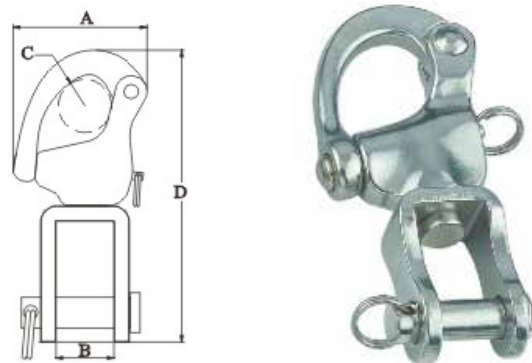


SNAP SHACKLE WITH CAST SWIVEL JAW, SS304 OR SS316



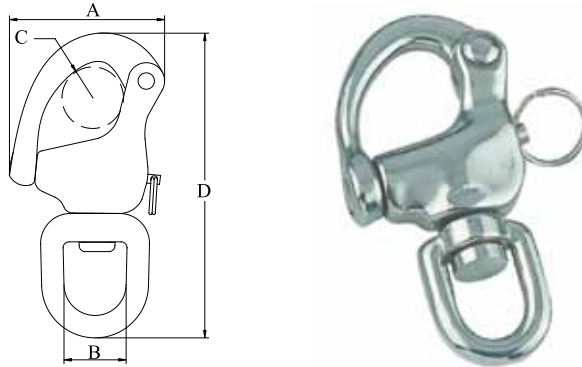
Part No. 304	Part No. 316	A mm	B mm	C mm	D mm	SWL kgs	BL kgs
39797	39800	33.00	11.00	12.00	74.00	275	1100
39798	39801	42.00	16.00	16.00	96.50	500	2000
39799	39802	58.00	20.00	22.00	127.00	875	3500

SNAP SHACKLE WITH FORGED SWIVEL JAW, SS304 OR SS316



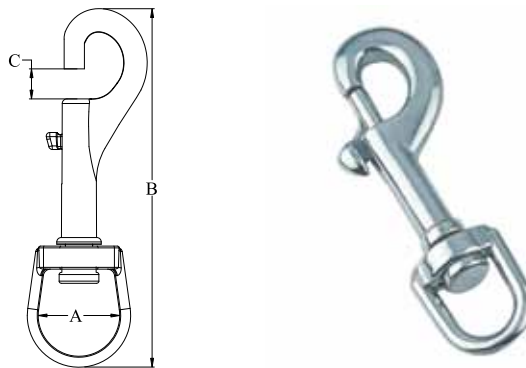
Part No. 304	Part No. 316	A mm	B mm	C mm	D mm	SWL kgs	BL kgs
39791	39794	33.00	14.50	12.00	66.50	275	1100
39792	39795	42.00	13.50	16.00	86.50	500	2000
39793	39796	58.00	24.00	22.00	122.00	875	3500

SNAP SHACKLE WITH CAST SWIVEL EYE, SS304 OR SS316



Part No. 304	Part No. 316	A mm	B mm	C mm	D mm	SWL kgs	BL kgs
39824	39827	33.00	13.00	12.00	71.00	275	1100
39825	39828	42.00	15.00	16.00	86.00	500	2000
39826	39829	58.00	20.60	22.00	122.00	875	3500

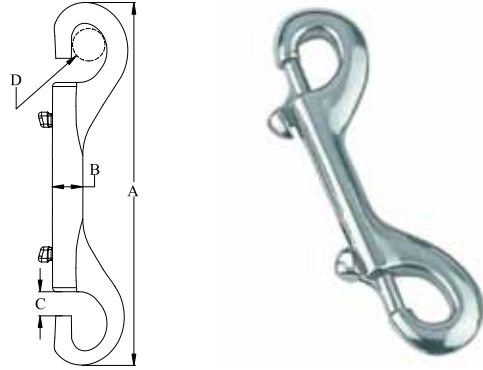
SWIVEL EYE BOLT SNAP, SS304 OR SS316



Part No. 304	Part No. 316	A mm	B mm	C mm	SWL kgs	BL kgs
39816	39822	10.50	64.50	7.00	45	180
39814	39821	12.50	88.00	12.80	62	250
39817	39823	15.80	90.00	12.00	162	650
39815	31288	19.00	93.00	11.30	162	650
39813	39820	25.40	100.00	12.00	150	600
39812	39819	28.60	120.00	16.00	150	600
39811	39818	31.75	127.50	17.50	125	500

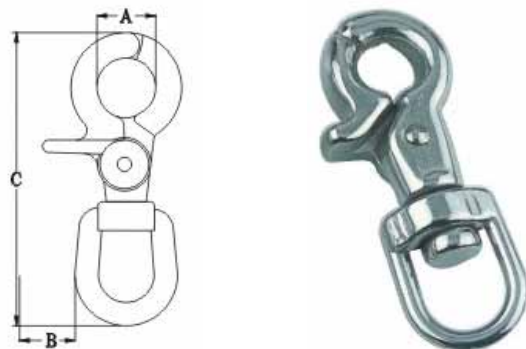


DOUBLE BOLT SNAP, SS304 OR SS316



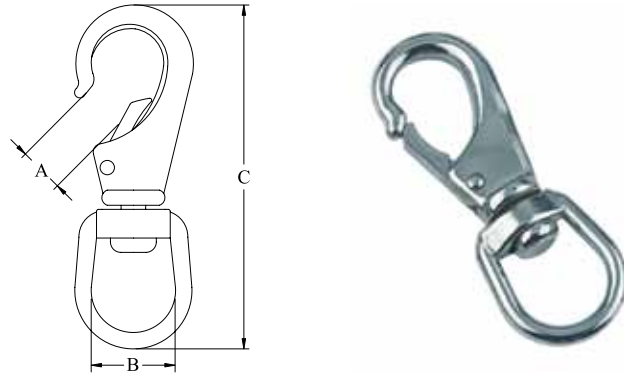
Part No. 304	Part No. 316	A mm	B mm	C mm	D mm	SWL kgs	BL kgs
39832	39833	89.30	8.90	9.50	8.50	45	180
39834	39835	105.00	9.20	10.20	9.00	88	350
39836	39837	121.80	9.50	12.50	12.00	90	360

TRIGGER SNAP (SWIVEL END), SS304 OR SS316



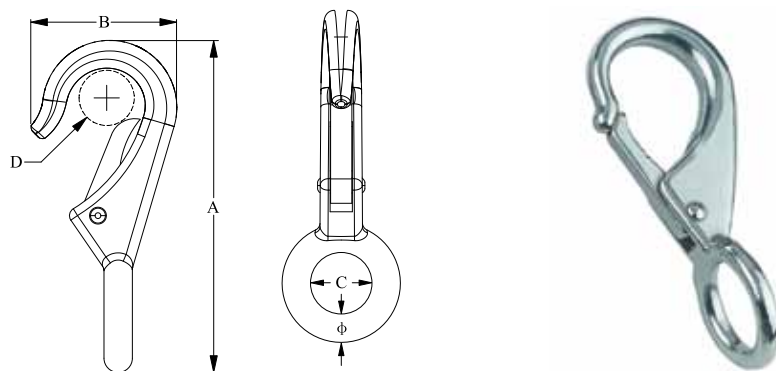
Part No. 304	Part No. 316	A mm	B mm	C mm	SWL kgs	BL kgs
39838	39840	10.50	13.00	65.00	50	200
39839	39841	10.50	16.00	65.00	50	200

SWIVEL EYE SNAP, SS304 OR SS316



Part No. 304	Part No. 316	A mm	B mm	C mm	SWL kgs	BL kgs
39852	39856	6.60	15.30	67.30	38	150
39853	39857	9.80	21.50	87.50	43	170
39854	39858	11.50	21.90	101.00	63	250
39855	39859	12.00	22.30	118.50	85	340

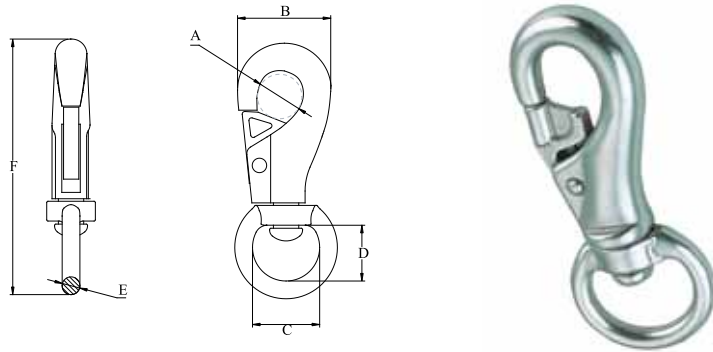
RIGID EYE SNAP, SS304 OR SS316



Part No. 304	Part No. 316	ϕ mm	A mm	B mm	C mm	D mm	SWL kgs	BL kgs
39844	39848	3.80	55.80	23.50	12.20	8.80	40	160
39845	39849	4.50	72.80	29.60	16.70	8.80	50	200
39846	39850	6.10	86.50	37.00	19.40	12.00	75	300
39847	39851	6.60	100.20	40.80	19.30	12.50	112	450

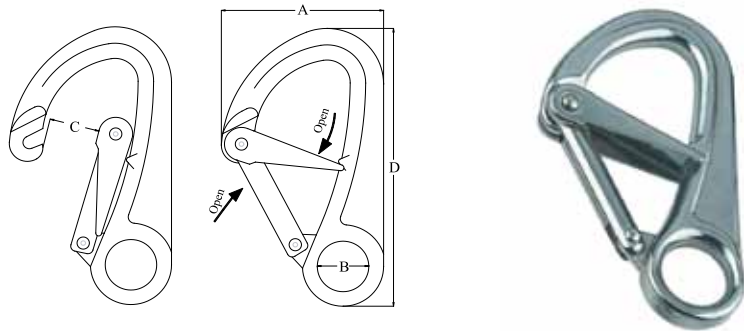


BULL SNAP (SWIVEL END), SS304 OR SS316



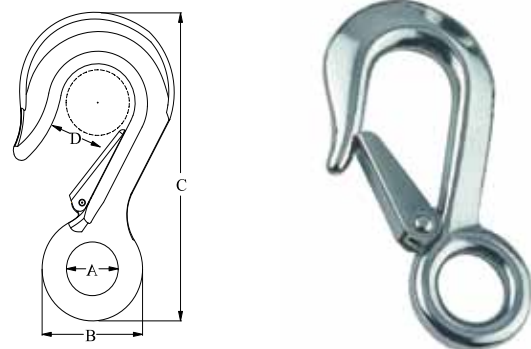
Part No. 304	Part No. 316	A mm	B mm	C mm	D mm	E mm	F mm
39872	39873	16.50	37.00	28.00	22.00	6.00	102.00

DOUBLE LOCKING SAFETY HOOK, SS304 OR SS316



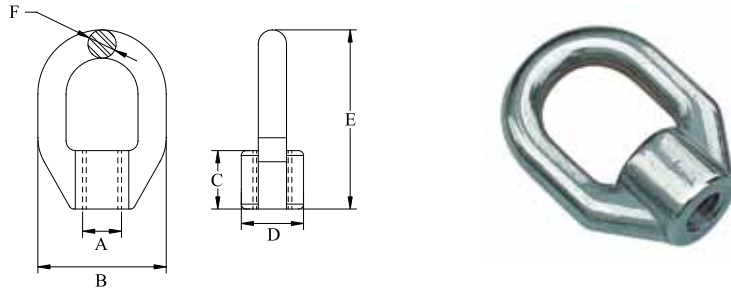
Part No. 304	Part No. 316	A mm	B mm	C mm	D mm	SWL mm	BL mm
39870	39871	62.00	20.00	19.00	106.50	388	1550

RIGID EYE SNAP HOOK WITH SAFETY LATCH, SS304 OR SS316



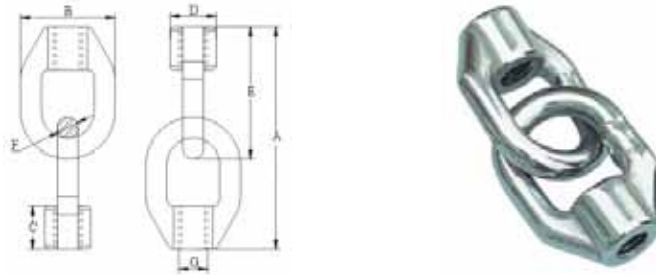
Part No. 304	Part No. 316	A mm	B mm	C mm	D mm	SWL mm	BL mm
39866	39868	18.50	33.70	100.50	24.00	188	750
39867	39869	28.00	45.60	116.80	23.00	250	1000

LIFTING EYE NUT, SS304 OR SS316



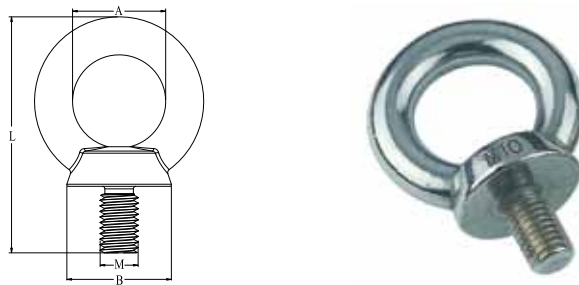
Part No. 304	Part No. 316	A mm	B mm	C mm	D mm	E mm	F mm	SWL kgs	BL kgs
40129	40130	M8	26.40	12.00	13.00	36.80	5.70	500	2000

DOUBLE EYE WITH INTERNAL THREAD, SS304 OR SS316



Part No. 304	Part No. 316	A mm	B mm	C mm	D mm	E mm	F mm	G mm
40131	40132	62.00	26.40	12.00	13.00	36.30	5.70	M8

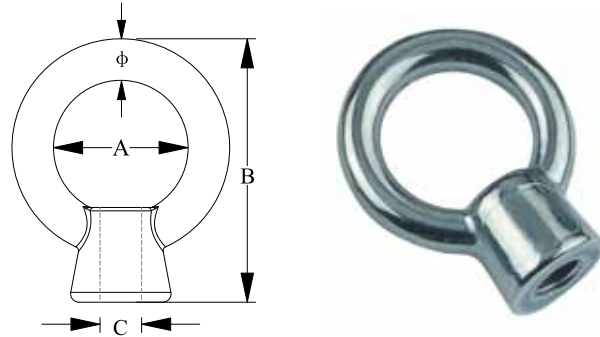
EYE BOLT, SS304 OR SS316



Part No. 304	Part No. 316	A mm	B mm	L mm	M mm	SWL kgs	BL kgs
40133	40141	15.70	18.50	41.00	M6	325	1300
40134	40142	20.30	20.60	49.50	M8	550	2000
40135	40143	25.30	26.00	62.00	M10	650	2600
40136	40144	30.00	33.00	74.00	M12	975	3900
40137	40145	35.00	40.00	91.50	M16	1750	7000
40138	40146	40.00	44.00	103.00	M20	2500	10000
40139	40147	50.00	55.00	125.20	M24	3000	12000
40140	40148	59.50	73.20	154.00	M30	4500	18000

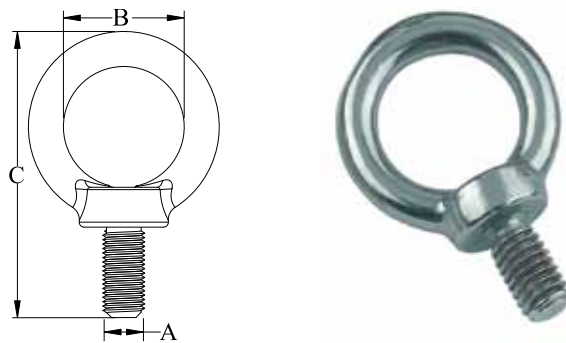


LIFTING EYE NUT (SUS TYPE), SS304 OR SS316



Part No. 304	Part No. 316	φ mm	A mm	B mm	C mm	SWL kgs	BL kgs
40179	30034	5.00	16.00	31.00	M6	60	240
40180	30035	5.80	20.00	38.50	M8	80	320
40175	30036	7.60	25.00	49.00	M10	150	600
40176	30037	8.80	30.00	60.00	M12	220	880
40177	30038	12.00	35.00	70.50	M16	450	1800
40178	40187	15.80	40.00	85.50	M20	630	2520
-	44022	19.00	50.50	102.60	M24	950	3800

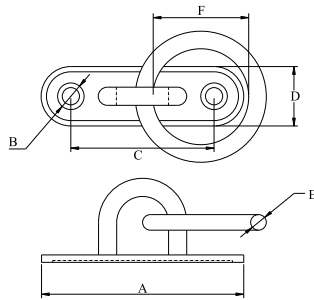
EYE BOLT (SUS TYPE), SS304 OR SS316



Part No. 304	Part No. 316	A mm	B mm	C mm	SWL kgs	BL kgs
40149	30031	M6	16.80	37.40	60	240
40150	30032	M8	20.60	47.00	80	320
40151	30033	M10	25.60	60.70	150	600
40152	33724	M12	29.70	72.30	220	880
40153	40161	M16	35.00	86.00	450	1800
-	44508	M20	40.50	103.00	630	2520
-	44509	M24	45.50	129.00	950	3800

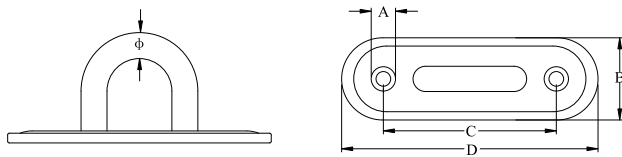
MARINE AND ARCHITECTURAL HARDWARE

OBLONG PAD EYE (WITH RING), SS304 OR SS316



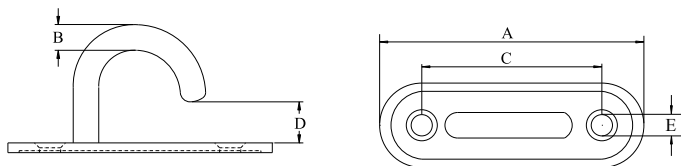
Part No. 304	Part No. 316	A mm	B mm	C mm	D mm	E mm	F mm
40244	40247	54.00	5.00	38.00	16.00	5.00	30.50
40245	40248	65.00	5.20	46.00	19.00	6.00	41.30
40246	40249	81.00	6.30	55.00	25.70	8.00	51.00

OBLONG PAD EYE, SS304 OR SS316



Part No. 304	Part No. 316	φ mm	A mm	B mm	C mm	D mm	SWL kgs	BL kgs
40250	40255	5.00	5.00	16.00	38.00	54.00	175	700
40251	40256	6.00	5.50	19.00	46.00	65.00	250	1000
40252	40257	8.00	6.50	25.80	55.50	81.00	400	1600
40253	40258	9.00	8.20	31.80	62.00	100.00	425	1700

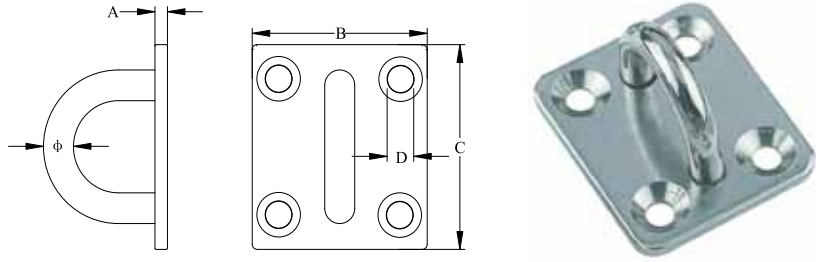
OBLONG PAD EYE (OPEN), SS304 OR SS316



Part No. 304	Part No. 316	A mm	B mm	C mm	D mm	E mm	SWL kgs	BL kgs
40260	40264	54.00	5.00	38.00	8.00	5.0	50	200
40261	40265	65.00	6.00	46.00	12.00	5.5	55	220
40262	40266	81.00	8.00	55.00	13.00	6.5	62	250
40263	40267	100.00	9.00	62.00	16.00	8.0	70	280

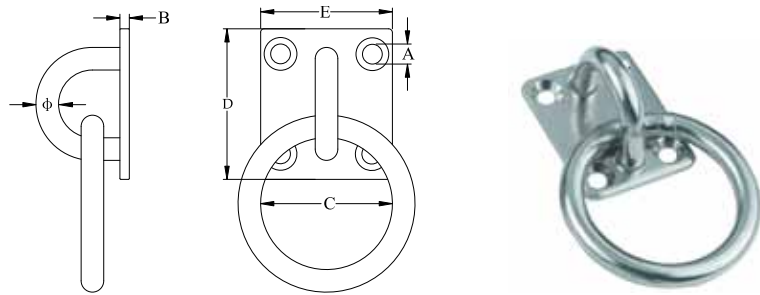


SQUARE PAD EYE, SS304 OR SS316



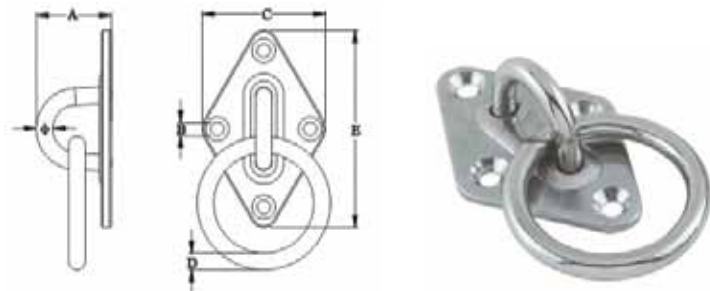
Part No. 304	Part No. 316	φ mm	A mm	B mm	C mm	D mm	SWL kgs	BL kgs
30044	<i>40281</i>	5.00	2.50	30.00	35.00	4.20	175	700
30045	<i>40282</i>	6.00	2.50	35.00	40.00	5.20	250	1000
30046	<i>40283</i>	8.00	2.90	40.00	50.00	5.50	400	1600
40280	<i>40284</i>	10.00	3.30	47.80	60.80	5.50	500	2000

SQUARE PAD EYE WITH RING, SS304 OR SS316



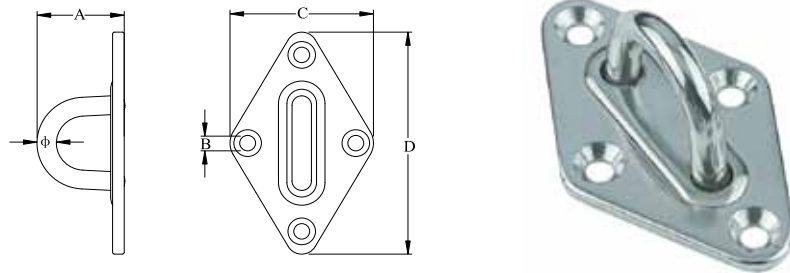
Part No. 304	Part No. 316	φ mm	A mm	B mm	C mm	D mm	E mm	SWL kgs	BL kgs
40268	<i>40271</i>	5.00	4.10	2.40	30.60	35.00	30.00	175	700
40269	<i>40272</i>	6.00	5.30	2.50	40.80	40.00	35.00	250	1000
40270	<i>40273</i>	8.00	5.60	3.50	45.50	50.00	40.00	400	1600

DIAMOND PAD EYE WITH RING, SS304 OR SS316



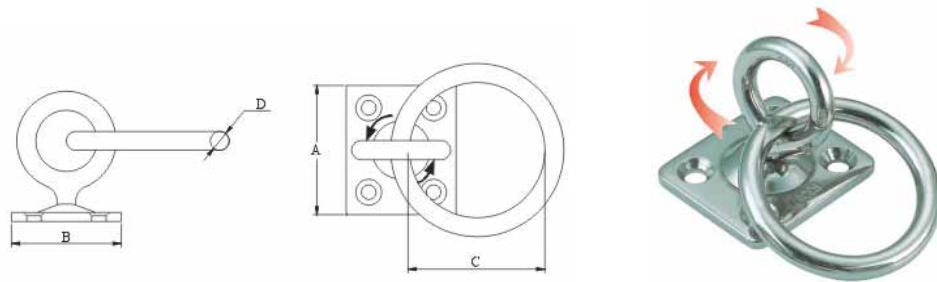
Part No. 304	Part No. 316	φ mm	A mm	B mm	C mm	D mm	E mm	SWL kgs	BL kgs
<i>40274</i>	<i>40277</i>	5.00	22.50	4.00	36.50	5.00	59.00	175	700
<i>40275</i>	<i>40278</i>	6.00	26.50	4.00	39.50	6.00	64.00	250	1000
<i>40276</i>	<i>40279</i>	8.00	33.00	5.00	50.00	8.00	80.00	400	1600

DIAMOND PAD EYE, SS304 OR SS316



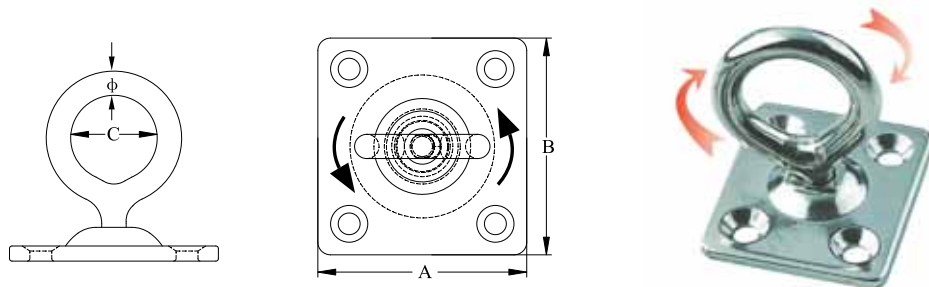
Part No. 304	Part No. 316	φ mm	A mm	B mm	C mm	D mm	SWL kgs	BL kgs
40291	40294	5.00	22.50	4.00	36.50	58.80	175	700
40292	40295	6.00	27.00	4.40	40.00	63.90	250	1000
40293	40296	8.00	33.00	5.50	48.80	79.90	400	1600

SQUARE PAD SWIVEL EYE (WITH RING), SS304 OR SS316



Part No. 304	Part No. 316	A mm	B mm	C mm	D mm	SWL kgs	BL kgs
40285	40288	34.00	30.00	30.80	5.00	112	450
40286	40289	40.00	34.00	40.00	6.00	175	700
40287	40290	50.00	40.00	50.50	8.00	212	850

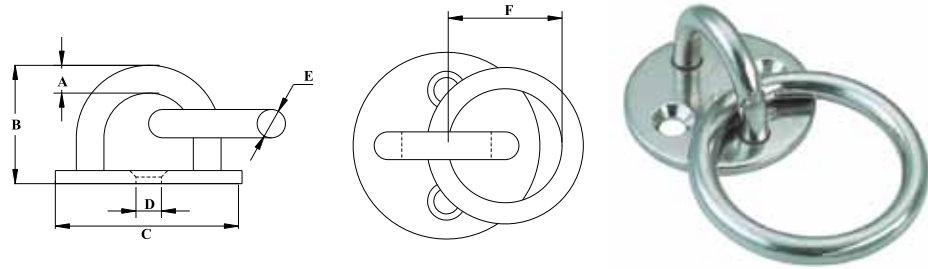
SQUARE PAD SWIVEL EYE, SS304 OR SS316



Part No. 304	Part No. 316	φ mm	A mm	B mm	C mm	SWL kgs	BL kgs
40297	40300	5.00	30.00	34.00	15.80	113	450
40298	40301	6.00	34.00	40.00	18.50	175	700
40299	40302	8.00	40.00	50.00	18.90	213	850

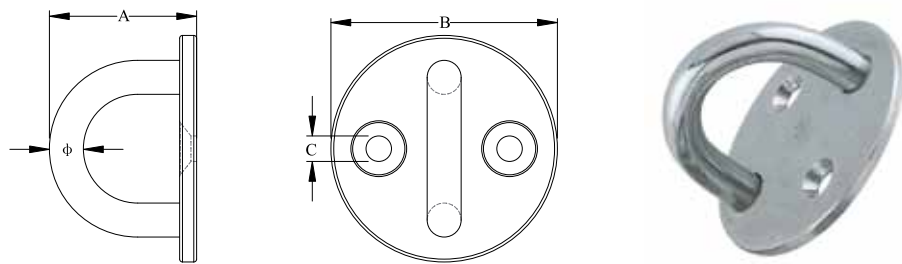


ROUND PAD EYE WITH RING, SS304 OR SS316



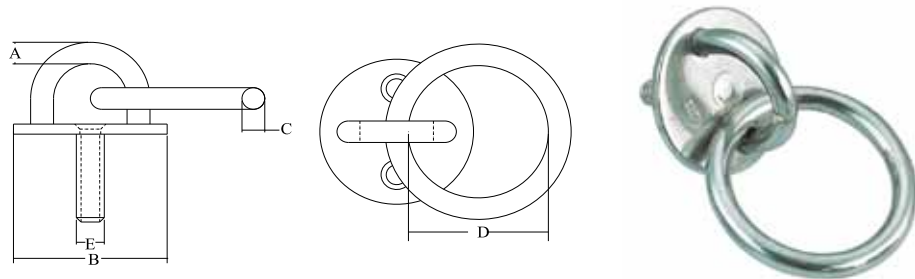
Part No. 304	Part No. 316	A mm	B mm	C mm	D mm	E mm	F mm
40303	<i>40306</i>	5.00	20.90	33.00	4.50	5.00	31.00
40304	<i>40307</i>	6.00	25.30	39.80	4.50	6.00	41.00
40305	<i>40308</i>	8.00	32.00	49.80	5.50	8.00	51.00

ROUND PAD EYE, SS304 OR SS316



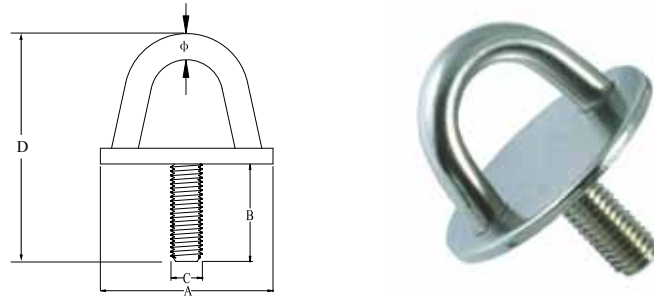
Part No. 304	Part No. 316	φ mm	A mm	B mm	C mm	SWL kgs	BL kgs
40315	<i>40318</i>	5.00	20.90	33.00	4.20	175	700
40316	<i>40319</i>	6.00	26.00	40.00	4.50	250	1000
40317	<i>40320</i>	8.00	32.50	57.30	5.50	400	1600

ROUND PAD EYE BOLT (WITH RING), SS304 OR SS316



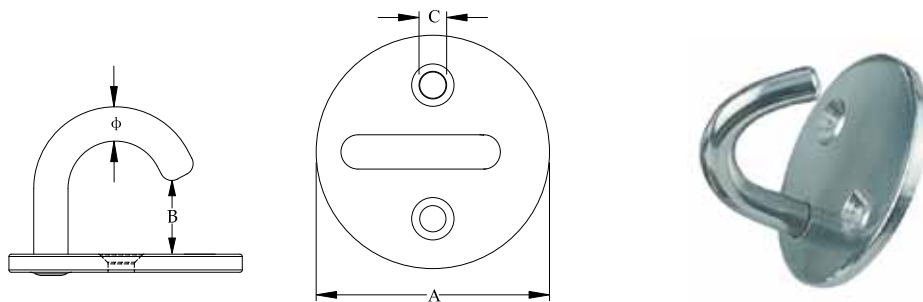
Part No. 304	Part No. 316	A mm	B mm	C mm	D mm	E mm	SWL kgs	BL kgs
40309	<i>40312</i>	5.00	31.80	5.00	30.70	6.00	175	700
40310	<i>40313</i>	6.00	39.80	6.00	40.80	8.00	250	1000
40311	<i>40314</i>	8.00	50.00	8.00	50.80	10.00	400	1600

ROUND PAD EYE BOLT, SS304 OR SS316



Part No. 304	Part No. 316	φ mm	A mm	B mm	C mm	D mm	SWL kgs	BL kgs
40327	<i>40330</i>	5.00	31.80	20.80	M6	42	100	400
40328	<i>40331</i>	6.00	39.80	23.00	M8	49	125	500
40329	<i>40332</i>	8.00	49.60	24.00	M10	56	250	1000

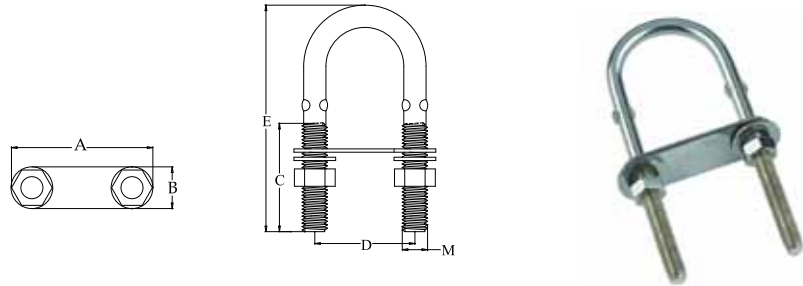
ROUND PAD EYE (OPEN), SS304 OR SS316



Part No. 304	Part No. 316	φ mm	A mm	B mm	C mm	SWL kgs	BL kgs
40321	<i>40324</i>	5.00	33.00	8.50	4.50	50	200
40322	<i>40325</i>	6.00	40.00	12.80	4.50	55	220
40323	<i>40326</i>	8.00	50.00	14.00	5.50	63	250

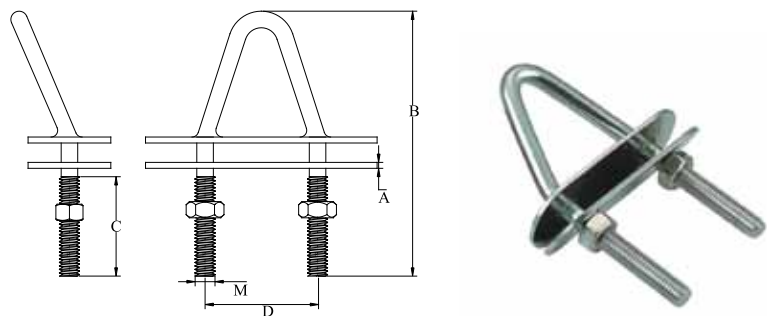


U-BOLT WITH WASHER AND NUT, SS304 OR SS316



Part No. 304	Part No. 316	A mm	B mm	C mm	D mm	E mm	M mm
41117	41121	45.00	12.00	30.00	30.00	60.00	M4
41118	41122	50.00	13.00	39.00	35.00	80.00	M5
41119	41123	50.00	15.00	40.00	35.00	90.00	M6
19192	41124	50.00	15.00	40.00	35.00	80.00	M8
19193	41125	50.00	15.00	50.00	35.00	100.00	M8
30051	41126	70.00	20.00	55.00	50.00	91.00	M10
19194	41128	70.60	20.00	55.00	50.00	130.00	M10
19195	41129	83.00	23.00	73.60	58.60	150.00	M12

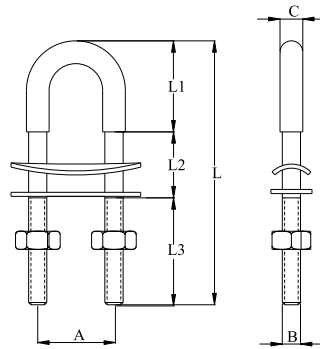
V-BOLT WITH WASHER AND NUT, SS304 OR SS316



Part No. 304	Part No. 316	A mm	B mm	C mm	D mm	M mm
41130	41136	2.00	79.80	30.00	35.00	M6
41131	41137	2.00	101.00	40.00	35.00	M6
41132	41138	2.00	81.00	29.00	41.00	M8
41133	41139	2.00	100.50	40.00	41.00	M8
41134	41140	2.00	100.50	40.00	49.00	M10
41135	41141	1.80	121.00	50.00	49.00	M10

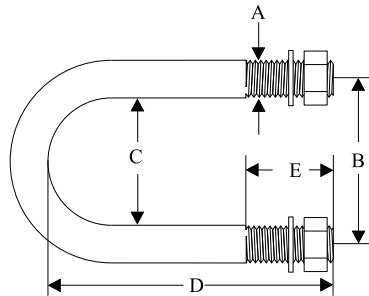
MARINE AND ARCHITECTURAL HARDWARE

U-BOLT WITH WASHER AND NUT, SS304 OR SS316



Part No. 304	Part No. 316	A mm	B mm	C mm	L mm	L1 mm	L2 mm	L3 mm
41155	41161	35.50	M8	10.00	65.00	39.50	3.00	23.30
41156	41162	35.50	M8	10.00	76.00	39.60	5.00	32.40
41157	41163	35.50	M8	10.00	90.00	39.00	4.00	47.00
41152	41158	35.00	M8	10.00	115.00	39.00	29.00	47.00
41153	41159	35.50	M8	10.00	140.00	40.00	54.00	47.00
41154	41160	35.50	M8	10.00	165.00	45.00	73.00	47.00

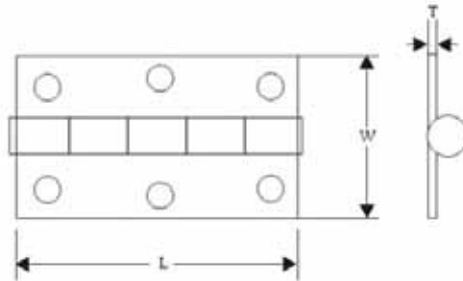
U BOLTS WITH NUT AND FLAT WASHERS



Part No. 316	Size (N.B)	Part No. 316	Size (O.D)	A mm	B mm	C mm	D mm	E mm
-	-	16289	3/4	1/4" unc	27.00	21.00	35.00	15.00
14435	1/2	-	7/8	1/4" unc	29.00	23.00	40.50	16.00
14314	3/4	-	1	1/4" unc	33.00	27.00	46.00	16.00
-	-	16292	1 1/4	1/4" unc	39.00	33.00	51.50	25.00
14315	1	-	1 3/8	1/4" unc	41.00	35.00	60.00	28.00
-	-	16294	1 1/2	1/4" unc	46.00	40.00	65.00	28.00
14316	1 1/4	-	1 11/16	1/4" unc	51.00	45.00	71.00	30.00
14317	1 1/2	-	2	1/4" unc	58.00	52.00	82.00	30.00
14318	2	-	2 3/8	1/4" unc	68.00	62.00	88.00	35.00
14436	2 1/2	-	3	5/16" unc	86.00	78.00	107.00	40.00
14437	3	-	3 3/8	5/16" unc	100.00	92.00	134.00	45.00
16523	4	-	-	3/8" unc	126.00	116.00	169.00	45.00
19129	6	-	-	1/2" unc	190.00	176.00	219.00	50.00



BUTT HINGE- STANDARD 'ALL STAINLESS'
COMPLETE WITH SCREWS- SOLD PER PAIR



Part No. 304	Size mm	L mm	W mm	T mm	Screw Size
16412	2.00	50.00	38.00	1.50	6#
16413	2.50	63.00	40.00	1.50	6#
16414	3.00	76.00	48.00	1.50	6#
16377	4.00	101.00	70.00	1.80	8#

BUTT HINGE WITH NYLON BEARINGS
COMPLETE WITH SCREWS- SOLD PER PAIR

Part No. 304	Size mm	L mm	W mm	T mm	Screw Size
14710	2.00	50.00	38.00	1.50	6#
14709	2.50	63.00	40.00	1.50	6#
14711	3.00	76.00	48.00	1.50	6#
14841	4.00	101.00	70.00	1.80	8#

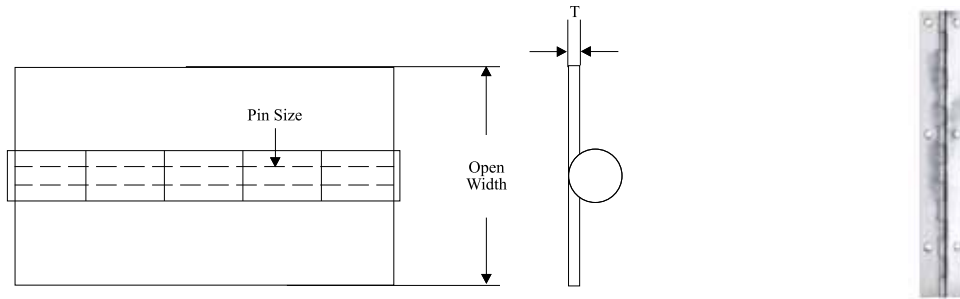
BUTT HINGE WITH NYLON BEARINGS- COMMERCIAL QUALITY
COMPLETE WITH SCREWS- SOLD PER PAIR

Part No. 304	Size mm	L mm	W mm	T mm	Screw Size
16461	4x3x2	101.00	76.00	2.00	8#
16321	4x4x2	101.00	101.00	2.00	8#

BUTT HINGE WITH STAINLESS BEARINGS- COMMERCIAL QUALITY
COMPLETE WITH SCREWS- SOLD PER PAIR

Part No. 304	Size mm	L mm	W mm	T mm	Screw Size
16322	4x4x2	101.00	101.00	2.00	8#
19248	4x4x3	101.00	101.00	3.00	8#
19249	5x4x3	127.00	101.00	3.00	8#

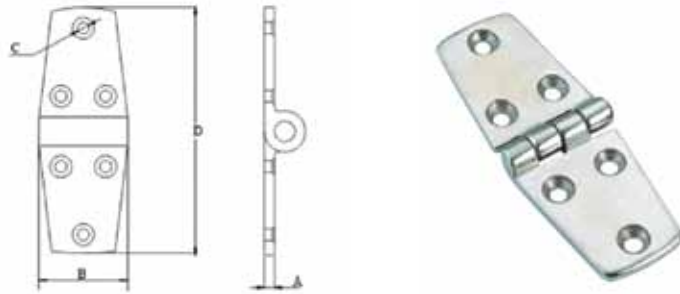
PIANO HINGE SOLD INDIVIDUALLY



Part No. 304	Width Open mm	Width Closed mm	Length mm	Pin Diameter mm	T mm
6930	M25 (Undrilled)	16.00	1800	3.20	1.20
19031	M32 (Undrilled)	19.00	1800	3.20	1.20
6931	M32 (Drilled)	19.00	1800	3.20	1.20
14568	M38 (Undrilled)	22.00	1800	3.20	1.20
14569	M50 (Undrilled)	29.00	1800	4.50	1.50

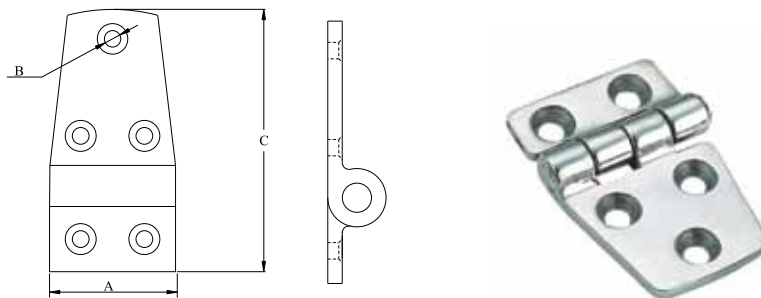


STAINLESS STEEL HINGE, SS304 OR SS316
SOLD INDIVIDUALLY



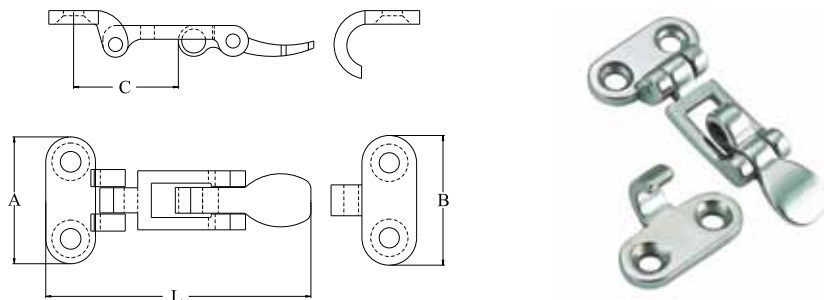
Part No. 304	Part No. 316	A mm	B mm	C mm	D mm
40339	40341	4.00	38.00	5.20	75.30
40340	40342	4.20	38.00	5.20	103.80

STAINLESS STEEL HINGE, SS304 OR SS316
SOLD INDIVIDUALLY



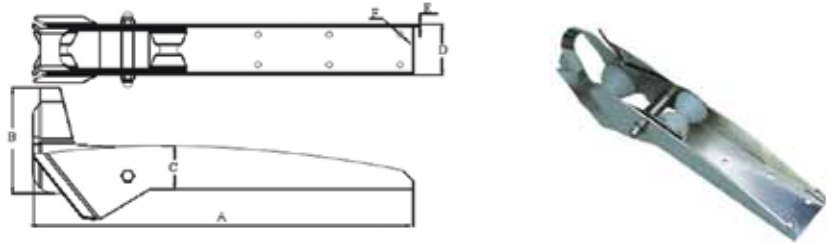
Part No. 304	Part No. 316	A mm	B mm	C mm
40343	40345	38.00	5.30	57.00
40344	40346	38.00	5.30	71.00

COVER LATCH CAST, SS304 OR SS316



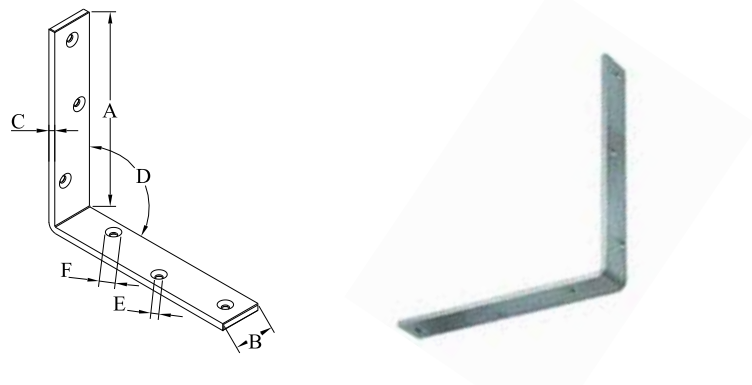
Part No. 304	Part No. 316	A mm	B mm	C mm	L mm
40337	40338	37.00	37.90	49.00	75.00

BOW ROLLER, SS304 OR SS316



Part No. 304	Part No. 316	A mm	B mm	C mm	D mm	E mm	F mm
40432	40434	577.28	150.50	66.00	77.00	3.50	9.00
40433	40435	432.43	160.50	65.80	77.00	3.50	9.00

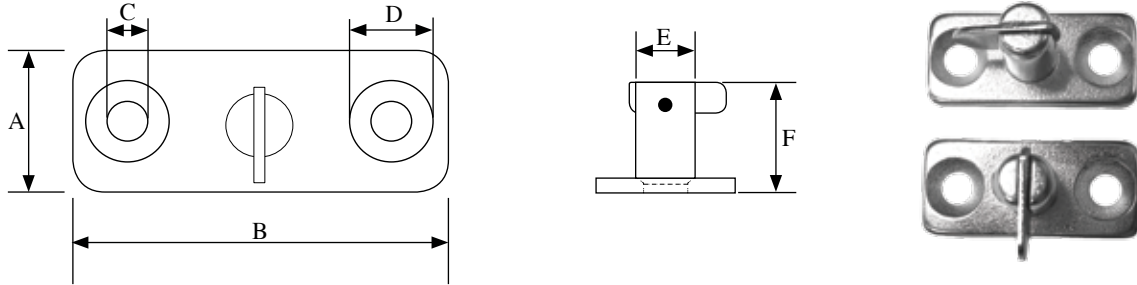
L-SHAPE PLATE, SS304 OR SS316



Part No. 304	Part No. 316	A mm	B mm	C mm	D mm	E mm	F mm
40436	40440	90L-150	30.00	5.00	90.00	5.00	10.00
40437	40441	90L-200	30.00	5.00	90.00	5.00	10.00
40438	40442	90L-250	30.00	5.00	90.00	5.00	10.00
40439	40443	90L-300	30.00	5.00	90.00	5.00	10.00

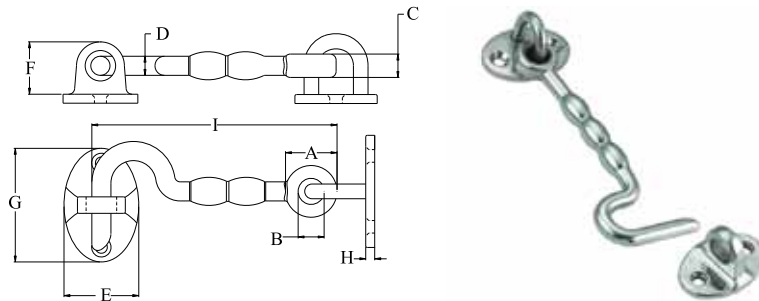


STAY-PUT (HORIZONTAL AND VERTICAL), SS316



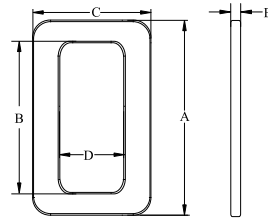
Part No. 316	A mm	B mm	C mm	D mm	E mm	F mm	ORIENTATION
44512	16.0	35.0	5.5	9.5	9.0	19.0	VERTICAL
44513	16.0	35.0	5.5	9.5	9.0	16.0	VERTICAL
44514	16.0	35.0	5.5	9.5	9.0	19.0	HORIZONTAL
44515	16.0	35.0	5.5	9.5	9.0	16.0	HORIZONTAL

CABIN HOOK, SS304 OR SS316



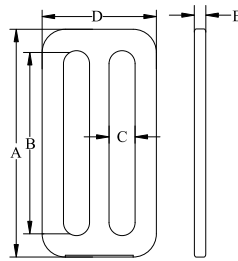
Part No. 304	Part No. 316	A mm	B mm	C mm	D mm	E mm	F mm	G mm	H mm	I mm
40333	40335	17.50	9.00	7.90	6.50	25.80	20.40	37.90	2.80	79.30
40334	40336	17.50	9.00	7.90	6.50	25.80	20.40	37.90	2.80	103.00

SQUARE BUCKLE SLIDE, SS304 OR SS316



Part No. 304	Part No. 316	A mm	B mm	C mm	D mm	E mm
41114	41115	64.20	50.00	41.40	22.00	4.00

BUCKLE SLIDE, SS304 OR SS316



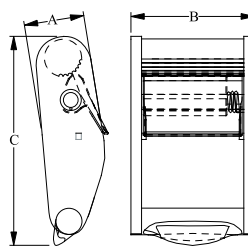
Part No. 304	Part No. 316	A mm	B mm	C mm	D mm	E mm
31276	41116	64.20	49.80	5.90	32.00	3.70

STRAP BUCKLE, SS304 OR SS316



Part No. 304	Part No. 316	A mm	B mm	C mm	D mm	E mm
41110	41111	50.30	11.30	25.50	25.50	30.00

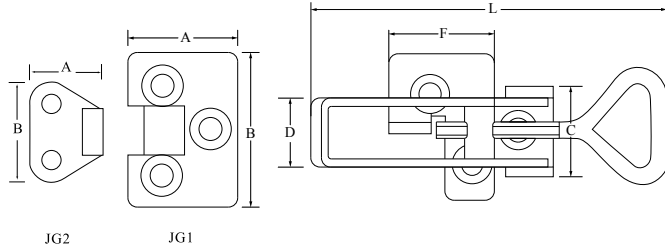
RATCHET BUCKLE, SS304 OR SS316



Part No. 304	Part No. 316	A mm	B mm	C mm
41112	41113	16.20	32.50	53.00

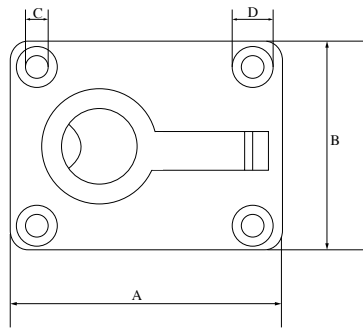


TOGGLE LATCH ADJUSTABLE AND LOCKABLE, SS304



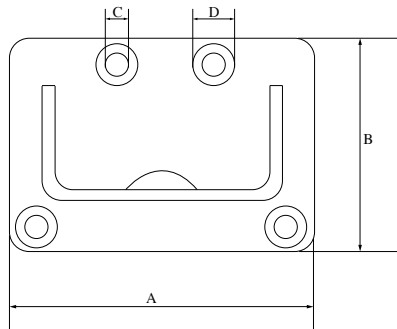
Part No. 304	Size	L mm	A mm	B mm	C mm	D mm	F mm
19980	JG1	78-87	24.00	33.00	18.00	14.00	24.00
34187	JG2	110-120	22.00	30.00	25.00	20.00	35.00

FLUSH PULL, SS316



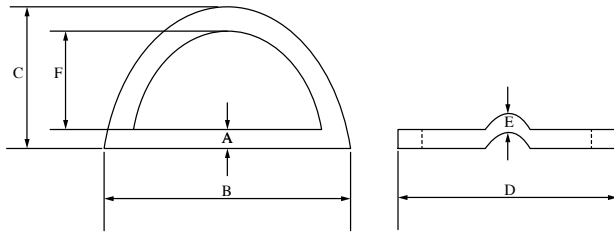
Part No. 316	A mm	B mm	C mm	D mm
44459	62.00	44.50	4.50	7.80

FLUSH PULL, SS316



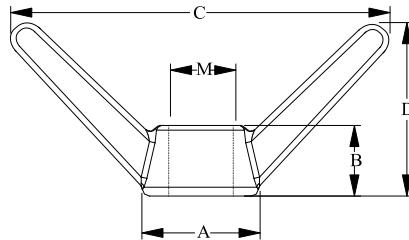
Part No. 316	A mm	B mm	C mm	D mm
44460	78.00	58.00	4.50	7.80

FOLDING EYE PAD, SS316



Part No. 316	A mm	B mm	C mm	D mm	E mm	F mm
43733	6.0	45.0	29.0	39.0	3.3	17.5

WING NUT (LONG TYPE), SS304 OR SS316



Part No. 304	Part No. 316	A mm	B mm	C mm	D mm	M mm
41036	41042	14.60	10.90	45.40	23.70	M8
41037	41043	19.20	11.80	61.60	29.50	M10
41038	41044	22.20	13.80	72.00	34.60	M12
41039	41045	27.20	15.80	86.50	40.00	M16
41040	41046	35.00	19.80	108.50	49.00	M20
41041	41047	39.00	21.80	119.50	54.60	M22

GREASE NIPPLES STRAIGHT, SS304



Part No. 304	Size mm
5598	1/8 BSP
5600	1/4 BSP
5604	1/4 UNF
15843	M6
31256	M8



HOSE CLAMPS- ALL STAINLESS STEEL



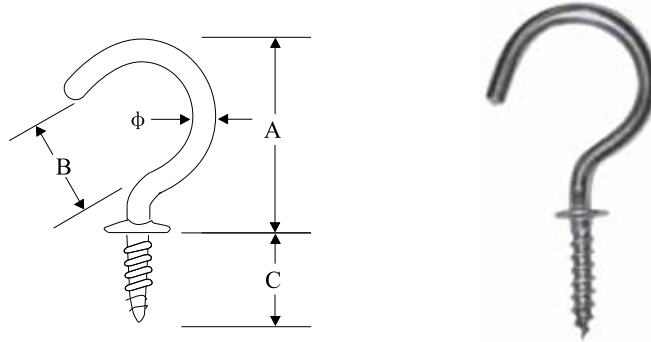
Part No. 304	Universal Size	Diameter Range	Band Width
19894	000	8-16	9
19917	00	12-20	9
19918	0	16-25	12
19919	1	25-40	12
19966	1A	20-32	12
30094	1X	30-45	12
19920	2A	32-50	12
19921	2	40-60	12
19922	3	50-70	12
19923	4	70-90	12
19924	5	90-100	12
19929	6	110-130	12
19931	8	150-170	12

BLIND RIVETS- ALL STAINLESS (RIVET AND MANDREL) OPEN TYPE



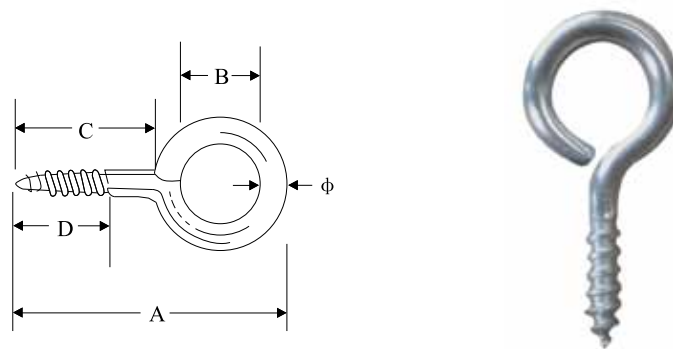
Part No. 304	Size mm	Rivet Diameter	Grip Range	Drill Size	Pkt Qty
6993	4-2	1/8	up to 1/8	No 30 (3.3mm)	1000
6994	4-3	1/8	1/8-3/16	No 30 (3.3mm)	1000
6995	4-4	1/8	3/16-1/4	No 30 (3.3mm)	1000
6996	4-6	1/8	1/4-3/8	No 30 (3.3mm)	1000
6997	4-8	1/8	3/8-1/2	No 30 (3.3mm)	1000
6998	5-2	5/32	up to 1/8	No 20 (4.1mm)	1000
7000	5-4	5/32	1/8-1/4	No 20 (4.1mm)	1000
7002	5-6	5/32	1/4-3/8	No 20 (4.1mm)	500
7003	6-2	3/16	up to 1/8	No 11 (4.8mm)	500
7005	6-4	3/16	1/8-1/4	No 11 (4.8mm)	500
7007	6-6	3/16	1/4-3/8	No 11 (4.8mm)	500
7008	6-8	3/16	3/8-1/2	No 11 (4.8mm)	500
7009	6-10	3/16	1/2-5/8	No 11 (4.8mm)	500
7010	6-12	3/16	5/8-3/4	No 11 (4.8mm)	250

CUP HOOK- SHOULDERED



Part No. 304	Size mm	ϕ mm	A mm	B mm	C mm	Std Pack
31480	16.00	2.20	16.00	5.00	10.00	50
31481	20.00	2.40	20.00	7.00	12.00	50
31482	25.00	2.80	25.00	10.00	14.00	50
31483	28.00	3.20	28.00	10.00	15.00	50
31484	32.00	3.50	32.00	13.00	17.00	50

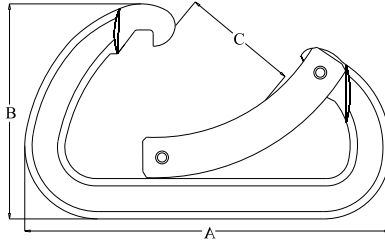
SCREW EYES



Part No. 304	Size mm	ϕ mm	A mm	B mm	C mm	D mm	Std Pack
31490	20.00	1.85	20.5	5.00	10.00	8.00	50
31491	23.00	2.15	23.00	6.00	12.00	10.00	50
31492	25.00	2.45	25.00	7.00	12.00	10.00	50
31493	29.00	2.80	29.00	9.00	13.00	11.00	50
31494	34.00	3.30	34.00	10.00	18.00	15.00	50
31495	42.00	3.90	42.00	12.00	20.00	15.00	50

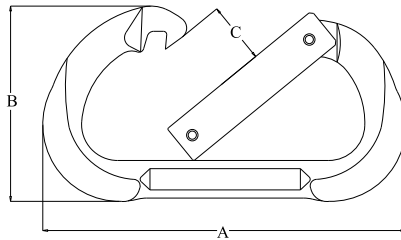


ALUMINIUM CARABINER, CURVED GATE 100



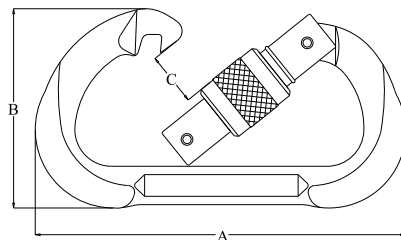
Part No.	A mm	B mm	C mm	BL kgs
38668	100.00	58.50	25.00	2200

ALUMINIUM CARABINER 111



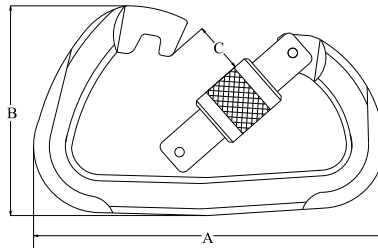
Part No.	A mm	B mm	C mm	BL kgs
38667	112.90	62.50	22.00	2400

ALUMINIUM CARABINER, WITH LOCKING NUT



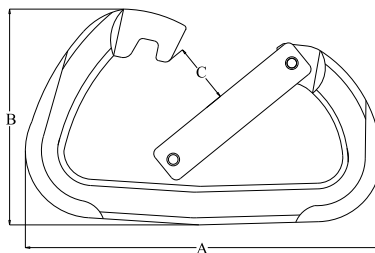
Part No.	A mm	B mm	C mm	BL kgs
38669	112.90	62.50	19.00	2400

ALUMINIUM CARABINER, WITH LOCKING NUT 111



Part No.	A mm	B mm	C mm	BL kgs
38681	111.50	66.80	19.00	2600

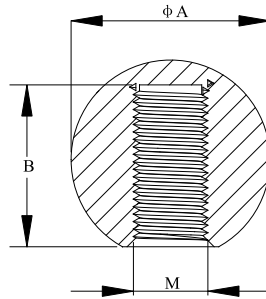
ALUMINIUM CARABINER 111



Part No.	A mm	B mm	C mm	BL kgs
38679	111.50	66.80	21.50	2600

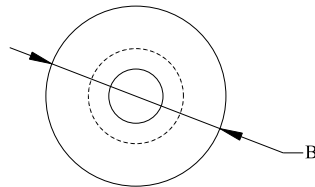
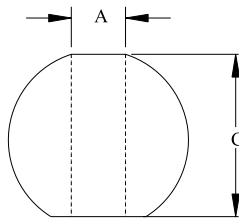


STAINLESS STEEL BALL (INTERNAL THREAD), SS304 OR SS316



Part No. 304	Part No. 316	ϕ A mm	B mm	C mm
40580	40581	15.00	12.50	M5
40952	40962	20.30	15.20	M6

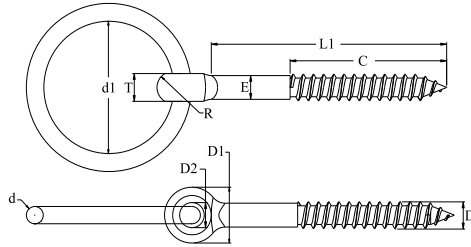
STAINLESS STEEL BALL, SS304 OR SS316



Part No. 304	Part No. 316	A mm	B mm	C mm
39944	40970	5.30	15.00	12.70
40586	40587	6.00	20.00	17.40

MARINE AND ARCHITECTURAL HARDWARE

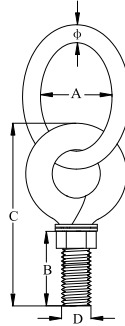
EYE LAG SCREW WITH ROUND RING, SS304 OR SS316



Part No. 304	Part No. 316	D	D1	D2	L1	C	E	T	R	d	d1
40880	40902	8*3.5	18.00	8.40	60.00	40.00	7.6~8	9.00	5.00	7.00	50.00
40881	40903	4*1.8	8.00	4.20	45.00	30.00	3.6~4	5.00	3.00	4.00	25.00
40882	40904	5*2.2	10.00	5.20	50.00	35.00	4.6~5	6.00	3.50	5.00	30.00
40883	40905	5*2.2	10.00	5.20	60.00	40.00	4.5~5	6.00	3.50	5.00	30.00
40884	40906	6*2.6	14.00	6.30	40.00	30.00	5.6~6	7.00	4.00	6.00	30.00
40885	40907	6*2.6	14.00	6.30	50.00	35.00	5.6~6	7.00	4.00	6.00	30.00
40886	40908	6*2.6	14.00	6.30	55.00	40.00	5.6~6	7.00	4.00	6.00	30.00
40887	40909	6*2.6	14.00	6.30	60.00	40.00	5.6~6	7.00	4.00	6.00	30.00
40889	40911	8*3.5	18.00	8.40	60.00	40.00	7.6~8	9.00	5.00	8.00	50.00
40890	40912	8*3.5	18.00	8.40	75.00	50.00	7.6~8	9.00	5.00	8.00	50.00
40891	49013	8*3.5	18.00	8.40	80.00	55.00	7.6~8	9.00	5.00	8.00	50.00
40888	40910	8*3.5	18.00	8.40	100.00	65.00	7.6~8	9.00	5.00	8.00	50.00
40874	40896	10*4.5	20.00	10.20	75.00	50.00	9.6~10	11.00	6.00	10.00	60.00
40875	40897	10*4.5	20.00	10.20	80.00	55.00	9.6~10	11.00	6.00	10.00	60.00
40876	40898	10*4.5	20.00	10.20	85.00	60.00	9.6~10	11.00	6.00	10.00	60.00
40872	40894	10*4.5	20.00	10.20	100.00	65.00	9.6~10	11.00	6.00	10.00	60.00
40873	40895	10*4.5	20.00	10.20	120.00	80.00	9.6~10	11.00	6.00	10.00	60.00
40870	40892	12*5.0	24.00	12.10	100.00	65.00	11.6~12	13.00	8.00	12.00	75.00
40871	40893	12*5.0	24.00	12.10	120.00	80.00	11.6~12	13.00	8.00	12.00	75.00



RING BOLT WITH WASHER AND NUT, SS304 OR SS316



Part No. 304	Part No. 316	φ mm	A mm	B mm	C mm	D mm	SWL kgs	BL kgs
41168	41179	5.00	30.00	40.00	60.00	M5	200	800
41169	41180	6.00	35.00	50.00	75.00	M6	250	1000
41170	41181	6.00	35.00	60.00	90.00	M6	250	1000
41171	41182	8.00	45.00	50.00	85.00	M8	450	1800
41172	41183	8.00	45.00	60.00	100.00	M8	450	1800
41173	41184	9.00	50.00	50.00	100.00	M10	600	2400
41174	41185	9.00	50.00	75.00	120.00	M10	600	2400
41164	41175	10.00	50.00	50.00	100.00	M10	600	2400
41165	41176	12.00	60.00	70.00	120.00	M12	1000	4000
41166	41177	12.00	60.00	100.00	150.00	M12	1000	4000
41167	41178	12.00	60.00	120.00	180.00	M12	1000	4000